

QCS

Surface Evaporator

Made of opaque fused silica



Quarzglas Komponenten und Service QCS GmbH
Raiffeisenstraße 8 · delivery address: Hainstraße 13a · 63477 Maintal (Germany)
Tel.: +49 (0) 61 81 / 98 32 06 · Fax: +49 (0) 61 81 / 98 32 07
Email: info@quarzglas-qcs.de · Internet: www.quarzglas-qcs.de

Surface Evaporator made of opaque fused silica

for rapid, economical evaporation and concentration of liquids and solutions

A helically electrical filament winding, covered by opaque fused/transparent silica, with a big surface which is assembled in an opaque fused silica paraboloid dish with a grip, permits an indirect temperature rise heating of liquids by infra-red radiation.

In this way, rapid, economical evaporation or concentration of liquids is possible.

According to this principle, only the upper surface of the liquid to evaporate is heated very quickly as most of the radiation heat is absorbed already in low depth of penetration and, thus, it enables an economical, regular evaporation. Contrary to

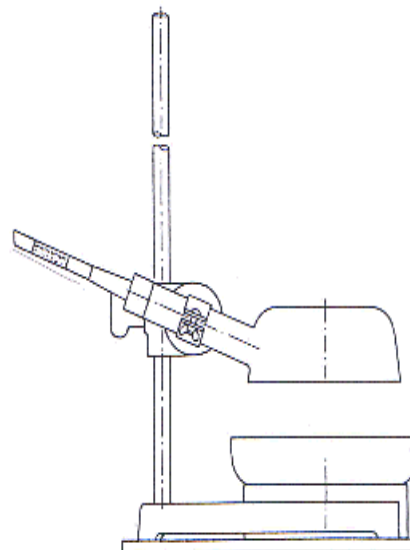
simmering evaporation, there is no substance loss because of splashing or super-boiling.

As surface evaporators are exclusively made of opaque fused/transparent silica, it is possible to make sensibly use of this material and its many advantages, as there are good IR-permeability, heat resistance, resistance to changes of temperature, extremely low electrical conductivity, exceptionally high chemical purity and resistance. These advantages of the material permit an economical evaporation of acids and other liquid chemical, except for hydrofluoric acid, phosphorus acid, and liquids with high alkali contents.

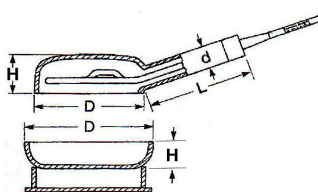
Electrical Safety

The opaque fused silica encasing tube is a very good electrical insulator – protection against electric-shock hazard, optimal electrical safety by means of earthing of the inner tube.

Surface evaporators meet the EG standard 89/336/EWG and EG standard 73/23/EWG.



Surface Evaporator Type	Order No.	Power Wattung	Dimensions				Net Weight approx. kg
			D	L	H	d	
			mm	mm	mm	mm	
OV 140	9705011	700	140	120	55	27	0,88
OV 200	9705021	1000	200	190	70	40	1,2
Evaporation basin ROTOSIL flat version	Order No.	Volume ccm	Dimensions				Net Weight approx. kg
			D		H		
			mm		mm		
to OV 140	9705012	400	160		50		0,34
to OV 200	9705022	1000	230		70		0,63
Tripod	Order No.	Base Area mm	Dimensions		Net Weight approx. kg		
			H mm				
to OV 140	9705017	330 x 250	520		4,0		
to OV 200	9705017	330 x 250	520		4,0		



All surface evaporators are delivered with a silicone connection piece and a 1.5 m long cable with earthing contact-type plug of PVC.

They are designed for 230 V ~.