

AF 156

Self Contained Ice Machine 160 kg

Item #:
Project:
Quantity:



FEATURES

- Produces granular shape ice flakes, 75% hardness. Ice scoop holder safely positioned in ice-storage bin.
- Resistant stainless steel exterior.
- Advanced diagnostics computerized control.
- Front panel in & out airflow (air-cooled model only) for built-in installation.
- Front access condenser air filter, removable and washable (air cooled version).
- Easily accessible, front panel mount, ON-OFF Switch.
- Easy, front panel access to technical / service area of the machine. Routine maintenance visible alarm light on front panel.
- Ergonomically designed ice storage access, with disappearing door. Door-closing movement dampening system.



AF 156
Flake ice
Residual water content 25%

CONDENSING SYSTEM

Air cooled
Water cooled

REFRIGERANT GAS

R134a
R404A

VOLTAGE V/Hz/ph

230/50/1
230/60/1

INTERNAL BIN CAPACITY

60 kg

CERTIFICATIONS



OPERATING REQUIREMENTS

	Minimum	Maximum
Air temperature	10	43
Water temperature	5	38
Water pressure	1 bar (14 psi)	5 bar (70 psi)
Electrical voltage	-10	+10

IMPORTANT NOTICE:
Models and specifications are subject to change without notice. This spec sheet is meant for commercial purpose only. For technical documentation please refer to our service manuals.

Download our free **App Scotsman Ice**
Apple store
Google play
Windows store



www.scotsman-ice.it
www.scotsman-ice.com

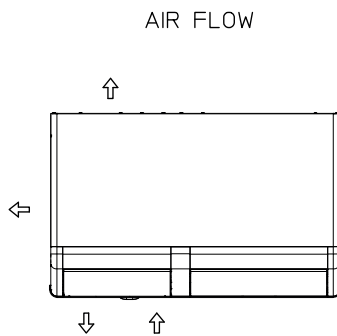
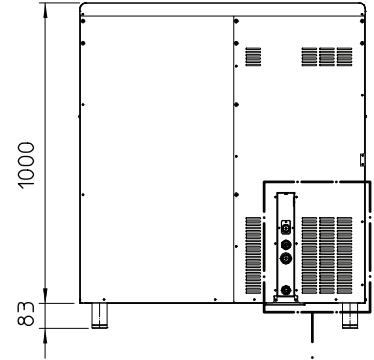
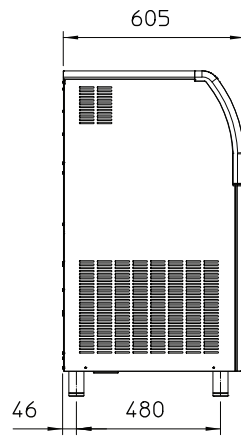
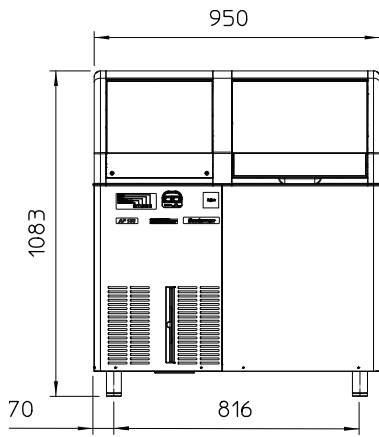
Self Contained Ice Machine 160 kg

AF 156

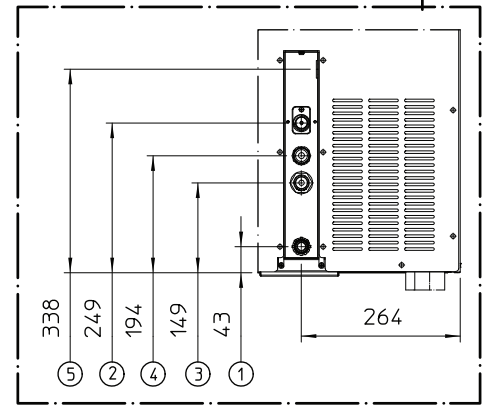
Self Contained Ice Machine 160 kg

Item #:
Project:
Quantity:

Self Contained Ice Machine 160 kg



- UNIT OF MEASUREMENT: mm
- 25/32" - OVERFLOW DRAIN
 - 3/4" GAS - WATER INLET
 - 3/4" GAS - WATER OUTLET WATER COOLED UNIT ONLY
 - 3/4" GAS - WATER INLET WATER COOLED UNIT ONLY
 - CORD SET



UNIT DATA		SHIPPING DATA		All data refer to R404A refrigerant models									
Size (W x D x H)		950 x 605 x 1083 mm		Carton (W x D x H)		1030 x 680 x 1170 mm							
Net weight		75 kg		Weight		88 kg							
Version	Voltage	24 h ice production kg			Energy consumption (*)		Water usage (*)	Instant power	Compressor	Circuit wires	Max. fuse size		
		10°C/10°C	21°C/10°C	32°C/21°C	kWh/100 kg	kWh/24h	l/h	W	W	No. x Ømm²	A		
AF 156 AS	230/50/1	160	150	118	11.0	13.0	5.2	590	1570	3 x 1.5	10		
AF 156 WS	230/50/1	158	148	130	9.2	12.0	42.0	500	1570	3 x 1.5	10		
AF 156 AS	230/60/1	150	148	120	11.5	13.8	5.0	575	1420	3 x 1.5	10		
AF 156 WS	230/60/1	160	156	140	9.0	12.5	76.3	510	1420	3 x 1.5	10		

(*) Data refer to 32°C Amb. / 21°C Water temperature conditions