

Register your instrument!
www.eppendorf.com/myeppendorf



Eppendorf Xplorer® Eppendorf Xplorer® plus

Operating manual

Copyright© 2019 Eppendorf AG, Germany. All rights reserved, including graphics and images. No part of this publication may be reproduced without the prior permission of the copyright owner.

Eppendorf® and the Eppendorf Brand Design are registered trademarks of Eppendorf AG, Germany.

epT.I.P.S.® and Eppendorf Xplorer® are registered trademarks of Eppendorf AG, Germany.

Registered trademarks and protected trademarks are not marked in all cases with ® or ™ in this manual.

U.S. Patents are listed on www.eppendorf.com/ip

U.S. Design Patents are listed on www.eppendorf.com/ip

Table of contents

1	Operating instructions	9
1.1	Using this manual	9
1.2	Danger symbols and danger levels	9
1.2.1	Danger symbols	9
1.2.2	Danger levels	9
1.3	Symbols used	9
1.4	Glossary	10
2	Safety	12
2.1	Intended use	12
2.2	Warnings for intended use	12
2.3	Information on product liability	14
3	Product description	15
3.1	Delivery package	15
3.1.1	Accessories – single-channel pipettes	15
3.1.2	Accessories – multi-channel pipette	15
3.2	Features	16
3.2.1	Pipette models	16
3.3	Product overview	17
3.3.1	Multi-channel lower part with fixed cone spacing	18
3.4	Display	19
3.4.1	Header	20
3.4.2	Status bar	21
3.4.3	Main field	21
3.4.4	Footer	21
3.5	Operating controls	21
3.6	Principle of operation	22
3.7	Overview of the operating modes	22
3.8	Mains/power supply device and power plug adapter	23
3.9	Rechargeable battery	24
3.10	RFID chip	25
3.10.1	RFID position	25
3.11	Materials	25
3.12	Warranty	26
3.13	Pipette tips	26

Table of contents

4 Eppendorf Xplorer®/Eppendorf Xplorer® plus English (EN)

4	Installation	27
4.1	Mains/power supply device assembly	27
4.1.1	Identifying the mains/power supply device	27
4.1.2	Inserting the power plug adapter	27
4.1.3	Replace the power plug adapter	27
4.2	Connect the rechargeable battery	28
4.3	Setting the Date and Time – Xplorer plus	29
5	Operation	29
5.1	Charging the rechargeable battery	29
5.1.1	Charging the rechargeable battery with the mains/power supply device	30
5.1.2	Charging the rechargeable battery in the charger stand or in the charger carousel	30
5.2	Preserving the battery capacity	31
5.2.1	Longer periods without operation – with charger stand	31
5.2.2	Longer periods without operation – without charger stand	31
5.2.3	Replacing the rechargeable battery	31
5.3	Switching the pipette on or off	31
5.3.1	Switching on	32
5.3.2	Switching off	32
5.4	Sets the operating mode	32
5.5	Setting the parameters (edit mode)	32
5.5.1	Xplorer/Xplorer plus	33
5.5.2	Xplorer plus	35
5.6	Using pipette tips	36
5.7	Volume limit in the case of pipette tips with a filter	37
5.8	Tips for correct pipetting	37
5.8.1	Preparing pipetting	37
5.8.2	Aspirating liquid	38
5.8.3	Dispensing liquid	38
5.9	Automatic dispensing (Ads selection dial setting)	40
5.10	Dispensing of liquid – Dis selection dial setting	41
5.11	Pipetting of liquid – Pip selection dial setting	42
5.11.1	Standard pipetting	42
5.11.2	Reverse pipetting (Xplorer)	43
5.12	Pipetting and mixing of liquids – P/M selection dial setting	44
5.13	Manual pipetting of liquid – Man selection dial setting	45
5.14	Special operating modes (Xplorer plus)	46
5.14.1	Multiple aspiration of liquid (Aspirate) – Spc selection dial setting	46
5.14.2	Diluting liquid (Diluting) – Spc selection dial setting	47
5.14.3	Sequential dispensing of liquid – Spc selection dial setting	48
5.14.4	Reverse pipetting of liquid – Spc selection dial setting	50
5.14.5	Sequential pipetting of liquid – Spc selection dial setting	51

5.15	Executing the saved program – Prg selection dial setting (Xplorer plus) . . .	52
5.16	Editing the program – Edit selection dial setting (Xplorer plus)	52
5.16.1	Pswrd. protection	53
5.16.2	Creating or changing Fixed volume	53
5.16.3	Creating or changing Program	54
5.17	Pipetting with fixed volume – Fix selection dial setting (Xplorer plus)	55
5.18	Option – Opt selection dial setting	55
5.18.1	General help – calling a description of the modes	56
5.18.2	Volume limit – setting the volume limit.	56
5.18.3	Counter – switching the counter for dispensing steps on/off	58
5.18.4	Ejector resetlabware	58
5.18.5	Rocker setting – setting the speed of the rocker.	58
5.18.6	History – saving and displaying dispensing settings	58
5.18.7	Setting the Sound level	58
5.18.8	Setting the Brightness (display)	58
5.18.9	Setting the Adjustment	58
5.18.10	Language – setting the language	62
5.18.11	Personalization – personalizing the pipette.	62
5.18.12	Service – calling up service functions.	62
5.18.13	Activating the Service interval (Xplorer plus)	62
5.18.14	Setting the Date and Time (Xplorer plus)	63
5.19	Resetting the pipette to the factory setting.	63
5.19.1	Performing Initial reset – Opt selection dial setting	63
6	Troubleshooting	64
6.1	Reset	64
6.2	Error search.	64
6.2.1	Rechargeable battery.	64
6.2.2	Display.	65
6.2.3	Liquid.	66
6.2.4	Pipette	67
6.2.5	Software.	68
7	Maintenance.	69
7.1	Cleaning	69
7.1.1	Cleaning and disinfecting the housing	69
7.2	Cleaning	70
7.2.1	Cleaning and disinfecting the pipette	70
7.2.2	Cleaning and disinfecting the lower part	70
7.2.3	Sterilizing the pipette with UV light	71
7.3	Sterilizing or disinfecting the pipette	71
7.3.1	Autoclaving	71
7.3.2	Disinfection	72

Table of contents

6	Eppendorf Xplorer®/Eppendorf Xplorer® plus	
	English (EN)	
7.4	Replacing O-rings – multi-channel lower part	72
7.4.1	Removing the O-ring	72
7.4.2	Mounting a new O-ring – 100 µL and 300 µL	73
7.4.3	Mounting a new O-ring – 1200 µL	73
7.5	Xplorer disassembly and assembly	73
7.5.1	Single-channel ≤ 1000 µL	73
7.5.2	Single-channel lower parts ≥ 2.5 mL	76
7.5.3	Multi-channel	77
7.6	Lubricating the piston or cylinder	81
7.6.1	Lubricating the piston	81
7.6.2	Lubricating the cylinder	81
7.7	Disassembling the multi-channel lower part – 4.5 mm cone spacing	82
7.7.1	Opening the multi-channel lower part	82
7.7.2	Removing pistons	82
7.7.3	Removing the cylinder block	82
7.8	Assembling the multi-channel lower part – 4.5 mm cone spacing	83
7.8.1	Inserting the cylinder block	83
7.8.2	Insert the pistons	84
7.8.3	Closing the multi-channel lower part	84
7.9	Maintenance	85
8	Technical data	85
8.1	Technical data of the pipette	85
8.1.1	Ambient conditions	85
8.1.2	Weight	85
8.1.3	Mains/power supply device	85
8.1.4	Rechargeable battery	85
8.2	Adjustable sub-steps – single-channel pipettes	86
8.3	Adjustable sub-steps – multi-channel pipettes	86
8.4	Dispensing speeds	87
8.4.1	Single-channel pipettes	87
8.4.2	Multi-channel pipettes	87

9	Measurement deviations according to Eppendorf AG	88
9.1	Single-channel pipettes	88
9.2	Multi-channel pipettes with fixed cone spacing	89
9.3	Test conditions	90
10	Transport, storage and disposal	91
10.1	Decontamination before shipment	91
10.2	Storage	91
10.3	Disposal	92
11	Ordering information	93
11.1	Single-channel pipettes – Xplorer	93
11.2	Single-channel pipettes – Xplorer plus	93
11.3	Multi-channel pipettes with fixed cone spacing – Xplorer	93
11.4	Multi-channel pipettes with fixed cone spacing – Xplorer plus	94
	Index	95

Table of contents

8 Eppendorf Xplorer®/Eppendorf Xplorer® plus
English (EN)

1 Operating instructions







1.1 Using this manual

- ▶ Read this operating manual thoroughly before using the device for the first time. Also observe the instructions for use of the accessories.
- ▶ This operating manual is part of the product. It must always be kept easily accessible.
- ▶ Enclose this operating manual when transferring the device to third parties.
- ▶ You will find the current version of the operating manual for all available languages on our website at www.eppendorf.com/manuals.
- ▶ This operating manual applies to devices with software version 2.06.00 or higher.

1.2 Danger symbols and danger levels

1.2.1 Danger symbols



The safety instructions in this manual have the following danger symbols and danger levels:

	Biohazard		Explosive substances
	Electric shock		Toxic substances
	Hazard point		Material damage

1.2.2 Danger levels

DANGER	<i>Will</i> lead to severe injuries or death.
WARNING	<i>May</i> lead to severe injuries or death.
CAUTION	May lead to light to moderate injuries.
NOTICE	May lead to material damage.

1.3 Symbols used

Depiction	Meaning
1. 2.	Actions in the specified order
▶	Actions without a specified order
•	List
	Direction of movement
<i>Text</i>	Display or software texts
	Additional information

Operating instructions

Eppendorf Xplorer®/Eppendorf Xplorer® plus
English (EN)

1.4 Glossary**A****Additional volume**

The total of the remaining stroke and the reverse stroke.

B**Blow out**

Movement of the piston into the lower position to blow out any residual liquid from the pipette tip. During pipetting operations, the liquid from the blow-out is part of the dispensing volume. During reverse pipetting operations, the liquid is **not** part of the dispensing volume.

C**Cycle**

Together, the upward piston movement (liquid aspiration) and downward piston movement (liquid dispensing) form a cycle.

F**Free jet dispensing**

Dispensing of liquid without the dispensing tip (pipette tip, dispenser tip) touching the tube inner wall.

I**Increment**

Step size or resolution. The smallest possible change by which a value can be increased.

ISO 8655

The standard defines limit values for the systematic error, the random error and the test methods for dispensers.

L**Li-polymer rechargeable battery**

Special configuration of a lithium-ion battery. Like rechargeable lithium-ion batteries, rechargeable lithium-polymer-batteries have a very high charging capacity and a long service life. The special encapsulation of the rechargeable lithium-polymer-battery makes it lighter than rechargeable lithium-ion batteries.

N**Nominal volume**

The maximum dispensing volume of a dispensing system specified by the manufacturer.

R

Remaining stroke

Liquid reserve. The liquid which remains after all dispensing steps have been completed.

Reverse stroke

After liquid aspiration, the piston is moved to a defined initial position. Liquid is dispensed during the piston movement. The reverse stroke is not a dispensing step.

V

Vapor pressure

This term refers to the pressure exerted by the vapor of a material (solid or liquid) in an enclosed container. The vapor is in equilibrium with the solid or liquid phase of the material. The vapor pressure increases when the temperature increases. Each pure liquid has a vapor pressure of 1013 hPa (mbar) at boiling point. Volume errors caused by high vapor pressure can be reduced by prewetting the tip.

Viscosity

Viscosity describes the viscosity of liquids and suspensions. The dynamic or absolute viscosity is indicated in Pa·s or in mPa·s. In older literature, the unit P or cP is used (1 mPa·s corresponds to 1 cP). At room temperature, a 50% glycerol solution has a viscosity of approx. 6 mPa·s. As the glycerol concentration increases, viscosity increases considerably. Absolutely anhydrous glycerol has a viscosity of approx. 1480 mPa·s at room temperature.

2 **Safety**

2.1 **Intended use**

The Xplorer/Xplorer plus is a lab device intended for dispensing liquids in the volume range from 0.5 µL to 10 mL in combination with matching pipette tips. In-vivo applications (in or on the human body) are not allowed

Only appropriately qualified personnel are allowed to use the Xplorer/Xplorer plus. All users must have read the operating manual carefully and familiarized themselves with the device's mode of operation.

2.2 **Warnings for intended use**



DANGER! Risk of explosion.

- ▶ Do not operate the device in areas where explosive substances are handled.
 - ▶ Do not use this device to process any explosive or highly reactive substances.
 - ▶ Do not use this device to process any substances which may generate an explosive atmosphere.
-



WARNING! Damage to health due to infectious liquids and pathogenic germs.

- ▶ When handling infectious liquids and pathogenic germs, observe the national regulations, the biosafety level of your laboratory, the material safety data sheets, and the manufacturer's application notes.
- ▶ Wear your personal protective equipment.
- ▶ For comprehensive regulations about handling germs or biological material of risk group II or higher, please refer to the "Laboratory Biosafety Manual" (source: World Health Organization, Laboratory Biosafety Manual, the current edition).



WARNING! Damage to health due to toxic, radioactive or aggressive chemicals.

- ▶ Wear your personal protective equipment.
- ▶ Observe the national regulations for handling these substances.
- ▶ Observe the material safety data sheets and manufacturer's application notes.



WARNING! Personal injury due to incorrect handling of the rechargeable battery.

- ▶ Only use rechargeable batteries supplied by Eppendorf.
 - ▶ Never pierce, crush or throw the rechargeable battery.
 - ▶ Only use the rechargeable battery in the supplied device.
 - ▶ Do not touch a leaking rechargeable battery.
 - ▶ Do not use a damaged rechargeable battery.
 - ▶ Dispose of rechargeable batteries in accordance with the legal requirements.
-



CAUTION! Danger to people due to grossly negligent use.

- ▶ Never point the opening of the device towards yourself or others.
- ▶ Only initiate liquid dispensing if it is safe to do so.
- ▶ For all dispensing tasks, make sure that you are not endangering yourself or anyone else.



CAUTION! Poor safety due to incorrect accessories and spare parts.

The use of accessories and spare parts other than those recommended by Eppendorf may impair the safety, functioning and precision of the device. Eppendorf cannot be held liable or accept any liability for damage resulting from the use of accessories and spare parts other than those recommended, or from the improper use of such equipment.

- ▶ Only use accessories and original spare parts recommended by Eppendorf.
-



NOTICE! Damage to device due to missing pipette tips.

- ▶ Use the pipette with fitted pipette tips only.



NOTICE! Carry-over, contamination and incorrect dispensing results due to the incorrect use of pipette tips.

The pipette tips are for single use only. Prolonged use can have a negative impact on dispensing tasks.

- ▶ Only use the pipette tips once.



NOTICE! Damage to device due to penetration of liquid.

- ▶ Only immerse the pipette tip in the liquid.
 - ▶ Do not put the pipette down when the pipette tip is filled.
 - ▶ The pipette itself may not come into contact with the liquid.
-

2.3 Information on product liability

In the following cases, the designated protection of the device may be affected. Liability for any resulting damage or personal injury is then transferred to the owner:

- The device is not used in accordance with the operating manual.
- The device is used outside of its intended use.
- The device is used with accessories or consumables that are not recommended by Eppendorf.
- The device is maintained or repaired by persons not authorized by Eppendorf AG.
- The user makes unauthorized changes to the device.

3 Product description

3.1 Delivery package

Quantity	Description
1	Eppendorf Xplorer or Eppendorf Xplorer plus
1	Power supply with power plug adapters
1	Operating manual
1	Short instructions
1	Certificate

3.1.1 Accessories – single-channel pipettes

Quantity	Description
1	Locking ring ($\leq 1000 \mu\text{L}$)
1	Filter sleeve ($\geq 2 \text{ mL}$)
10	Protection filter ($\geq 2 \text{ mL}$)
1	Pipette wrench ($\geq 2 \text{ mL}$)

3.1.2 Accessories – multi-channel pipette

Quantity	Description
1	Multi-channel tool 100/300 (100 μL and 300 μL)
1	Multi-channel tool 1200 (1200 μL)
1	Unlocking tool (1200 μL)
2	Locking clip (8-channel lower part for 10 μL , 100 μL and 300 μL)
3	Locking clip (12-channel lower part for 10 μL , 100 μL and 300 μL)

Product description

Eppendorf Xplorer®/Eppendorf Xplorer® plus
English (EN)

3.2 Features

The Eppendorf Xplorer and Eppendorf Xplorer plus pipettes are motor-driven and electronically controlled piston-stroke pipettes for aspirating and dispensing liquids. The pipettes work according to the air cushion principle. A suitable pipette tip must be fitted prior to use. The central operating control of the pipette is the rocker. The color of the rocker varies according to the volume range of the pipette. The rocker switch has different functions during dispensing and when editing the dispensing parameters. Depending on the model, volumes between 0.5 µL and 10 mL can be dispensed.

On all pipettes with a nominal volume of 10 µL to 1000 µL, the tip cone has a spring-loading action when a pipette tip is attached.

A protection filter can be inserted in 2.5 mL, 5 mL and 10 mL pipettes to protect the tip cone against liquids.

3.2.1 Pipette models

Different variants are available:

- Single-channel pipettes with variable volume setting
- Multi-channel pipettes with 8 or 12 channels with fixed cone spacing and variable volume setting
- Multi-channel pipettes with 16 or 24 channels with fixed cone spacing (4.5 mm) and variable volume setting

3.3 Product overview

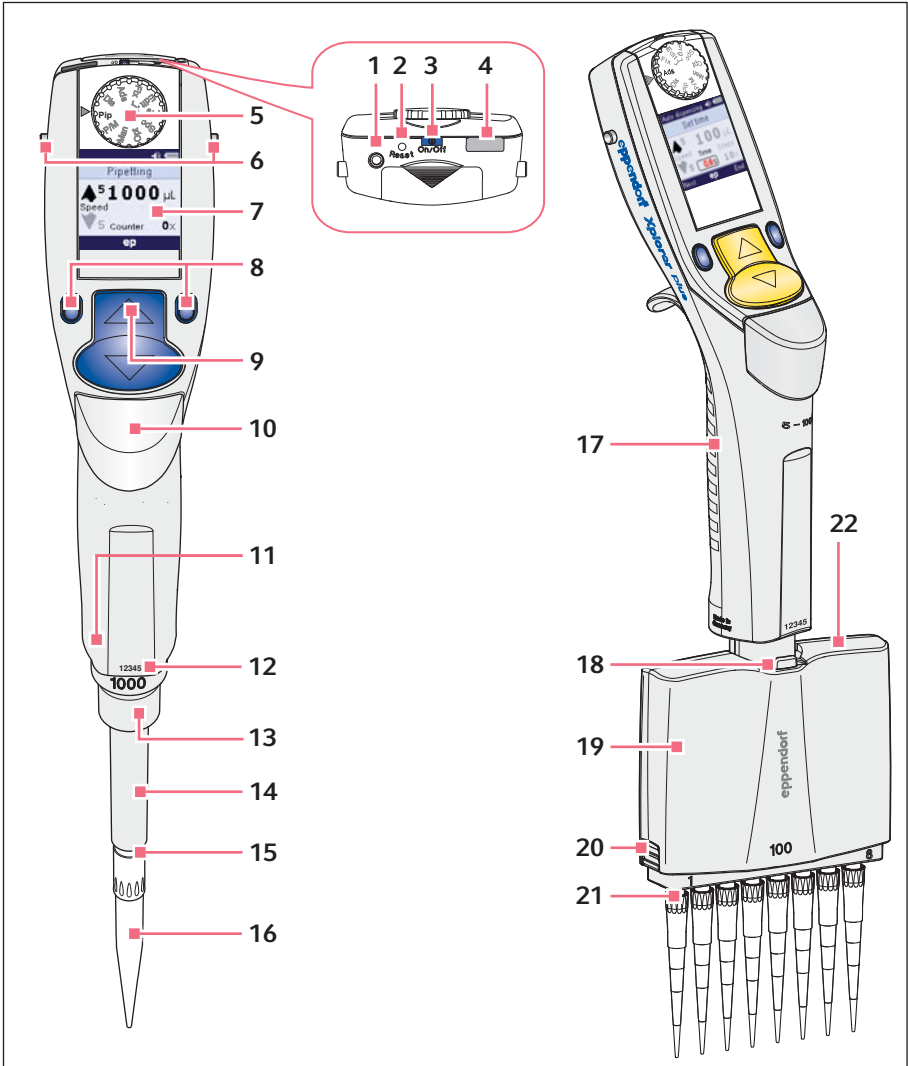


Fig. 3-1: Single-channel pipette and multi-channel pipette

Product description

Eppendorf Xplorer®/Eppendorf Xplorer® plus
English (EN)

- | | |
|---|--|
| <p>1 Connector socket
Connect the charging plug of the power supply</p> <p>2 Reset key</p> <p>3 On/Off key</p> <p>4 USB port</p> <p>5 Selection dial
Sets the operating mode</p> <p>6 Charging contacts
For charger stand or charging carousel</p> <p>7 Display</p> <p>8 Softkeys</p> <p>9 Rocker</p> <p>10 Ejector
Ejecting the pipette tip</p> <p>11 RFID chip</p> | <p>12 Upper part serial number</p> <p>13 Lower part serial number
Located under the ejector sleeve</p> <p>14 Ejector sleeve</p> <p>15 Spring-loaded tip cone
Available up to 1000 µL</p> <p>16 Pipette tip</p> <p>17 Multi-channel, upper part</p> <p>18 Lever
Releasing the multi-channel lower part</p> <p>19 Multi-channel lower part</p> <p>20 Latch
Unlocking the cover plate</p> <p>21 Tip cones with spring-loading action</p> <p>22 Cover plate</p> |
|---|--|

3.3.1 Multi-channel lower part with fixed cone spacing

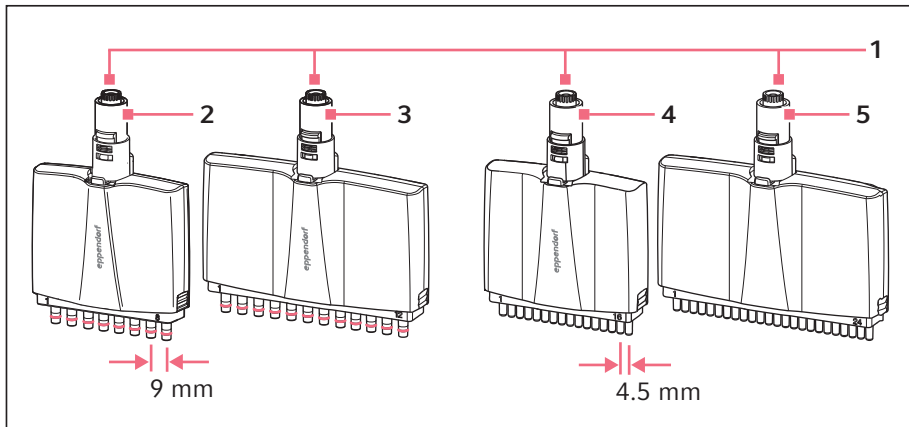
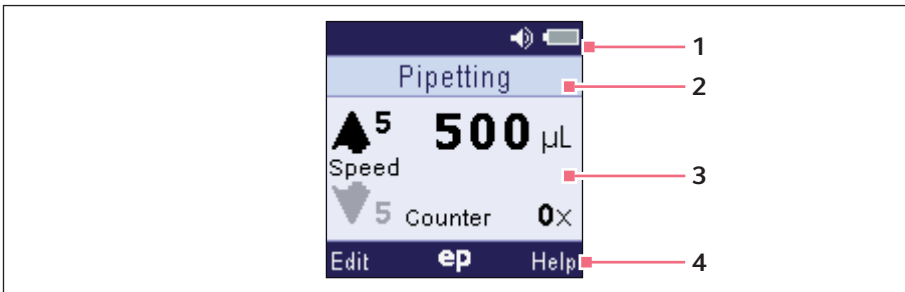


Fig. 3-2: Multi-channel lower parts with fixed cone spacing

- | | |
|--|---|
| <p>1 Magnetic coupling</p> <p>2 8-channel lower part
9 mm cone spacing for 96-well plates</p> <p>3 12-channel lower part
9 mm cone spacing for 96-well plates</p> | <p>4 16-channel lower part
4.5 mm cone spacing for 96-well plates</p> <p>5 24-channel lower part
4.5 mm cone spacing for 96-well plates</p> |
|--|---|

3.4 Display

The brightness of the display can be changed in the options. The display dims during usage intervals and switches off after a prolonged usage interval. Move the Xplorer pipette to switch the display back on.



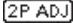







- | | |
|---|---|
| <p>1 Header
Adjustment, type of adjustment, volume, charging status</p> <p>2 Status bar
Operating mode or parameter</p> | <p>3 Main field
Dispensing speed, dispensing volume, number of dispensing procedures</p> <p>4 Footer
Softkeys</p> |
|---|---|

Product description

Eppendorf Xplorer®/Eppendorf Xplorer® plus
English (EN)


3.4.1 Header

Adjustment	
	Symbol for changed factory adjustment. The type of adjustment is shown next to it on the right
Type of adjustment	
	<i>1-point adjust.</i> Single-point adjustment by the user.
	<i>2-point adjust.</i> Two-point adjustment by the user.
	<i>3-point adjust.</i> Three-point adjustment by the user.
	<i>Glycerol 50%</i> Adjustment to liquid type 50% glycerol.
	<i>Ethanol 75%</i> Adjustment to liquid type 75% ethanol.
	<i>Altitude</i> Adjustment to an altitude other than 0 m above sea level.
	<i>epTIPS long</i> Adjustment to an epT.I.P.S. long.






The adjustment can be changed in the options. Visit our webpage for further information www.eppendorf.com/manuals.

Volume

	Acoustic signal The selected volume for the acoustic feedback can be set in the options. If the volume has been set to 0, no loudspeaker symbol is displayed.
---	---

Rechargeable battery

	Rechargeable battery fully charged.
	Rechargeable battery partially discharged.
	Rechargeable battery almost discharged. Rechargeable battery must be charged.

3.4.2 Status bar

The selected operating mode is displayed here during operation. In edit mode, the name of the parameter to be edited is displayed.

3.4.3 Main field

All parameters of the operating mode are displayed simultaneously during dispensing. A black arrow ▼▲ indicates the direction of the next piston movement.

In edit mode, the parameter to be edited is marked in red.

Some of the dispensing parameters in the main field include:

- Dispensing volume
- *Speed*: 8 speeds for aspiration and dispensing
- *Counter* Number of conducted dispensing steps. Optional setting in the **Pip** mode

3.4.4 Footer

Assignment of the softkeys with variable functions.

Some of the softkeys in the footer are:

- *Edit*: Open the edit mode.
- *Next*: Select next parameter.
- *End*: Exit the edit or help mode.
- *Help*: Show help.
- *History*: Display the last dispensing settings of the accessed mode .



The right softkey can be assigned to *Help* or *History*. The assignment of the softkey can be defined in the options (**Opt**). The softkey is assigned to *Help* when delivered.

If the right *Help* softkey is activated, the softkey can be used to display information on the selected operating mode.

If the *History* softkey is activated, it can be used to call the most recently executed dispensing operations.

3.5 Operating controls

Operating control	Function
On/Off key	Switch on the pipette.
Reset key	Reset pipette to initial state. All saved settings will be retained.
Selection dial	Set the operating mode.
Softkeys	For executing functions and saving parameters. The function of the respective softkey is shown in the footer.
Rocker	Triggers dispensing operations, performs dispensing steps, parameter selection and modification functions.
Ejector	Ejecting the pipette tip.

Product description


Eppendorf Xplorer®/Eppendorf Xplorer® plus
English (EN)

3.6 Principle of operation


Every pipette is equipped with different operating modes and a primary mode for configuring the pipette. The adjustable parameters and operational procedures differ in the operating modes.

During operation, the piston in the pipette is moved according to how the rocker is actuated. When you press the rocker up, the piston in the pipette moves up. Liquid is aspirated into the attached pipette tip. When you press the rocker down, the piston in the pipette moves down. The liquid in the pipette tip is dispensed.

Press the *Edit* softkey to open the edit mode of the selected operating mode. Here, you can use the rocker to change the parameter that is outlined and marked red.

-  Special operating sequences with an electric pipette are possible with dispensing using the rocker. For example, you can cancel a piston movement in the **Dis**, **Pip** and **P/M** modes at any time by pressing the rocker in the other direction. You can cancel the piston movement in the **Ads** and **Man** modes by releasing the depressed rocker. After the piston has been stopped, you can continue the aspiration or dispensing process by pressing the rocker in the corresponding direction.

If the piston is in the basic position, you can repeat the blow-out (*Blow*) at any time by pressing the rocker down.

-  The pipette software is available in several languages. To change the language, change the *Language* parameter in the options.

3.7 Overview of the operating modes

An overview of the operating modes for the different models.

Selection dial	Mode	Description	Model Xplorer	Model Xplorer plus
Ads	Automatic dispensing	Aspiration of liquid in one step and automatic dispensing of liquid in equal partial volumes and fixed time intervals.	■	■
Dis	Dispensing	Aspiration of liquid and dispensing of liquid in equal partial volumes.	■	■
Pip	Pipetting	Aspiration of liquid in one step and dispensing of liquid in one step.	■	■
P/M	Pipetting and mixing	Dispensing liquid with freely selected mixing volume.	■	■
Man	Manual pipetting	Aspirating and dispensing liquid with the rocker pressed.	■	■

Selection dial	Mode	Description	Model Xplorer	Model Xplorer plus
Opt	Options	Adjustment of device settings (language, volume, etc.)	■	■
Spc	Special	Selection of special operating modes (multiple aspiration, etc.).	–	■
Spc/ Multi-Aspirate	Multiple aspiration	Aspiration of liquid in equal partial volumes.	–	■
Spc/Diluting	Diluting	Dilution of a sample or reagent.	–	■
Spc/Seq. Dispensing	Sequential dispensing	Aspiration of liquid and dispensing different partial volumes in a defined sequence.	–	■
Spc/Rev. Pipetting	Reverse pipetting	Aspiration of larger liquid volumes with the help of the blow out. For dispensing a defined amount of fluid.	–	■
Spc/Seq. Pipetting	Sequential pipetting	For creating pipetting series with various volumes.	–	■
Prg	Program	Execute saved dispensings.	–	■
Edit	Editing	Create programs and pipetting procedures with fixed volumes.	–	■
Fix	Fixed volume	Liquid dispensing with fixed volume.	–	■

3.8 Mains/power supply device and power plug adapter

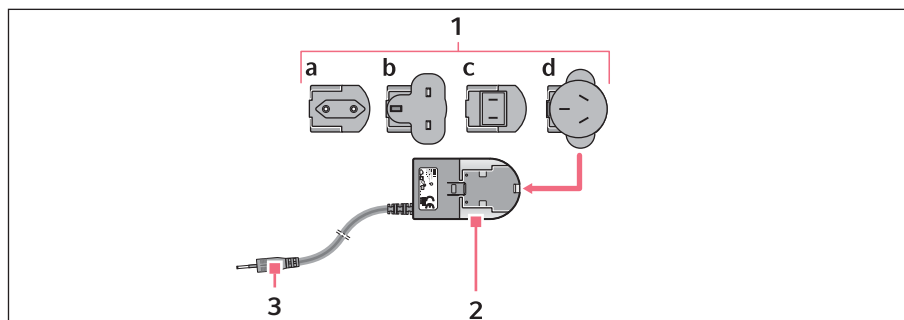


Fig. 3-3: Mains/power supply device with adapters

Product description

Eppendorf Xplorer®/Eppendorf Xplorer® plus
English (EN)

1 Power plug adapters

- a Europe
- b Great Britain
- c USA
- d Australia

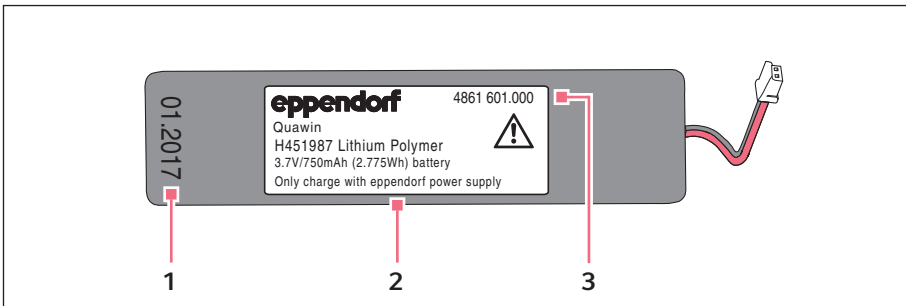
3 Charging plug**2 Mains/power supply device****3.9 Rechargeable battery**

Fig. 3-4: Original rechargeable battery from Eppendorf – front side

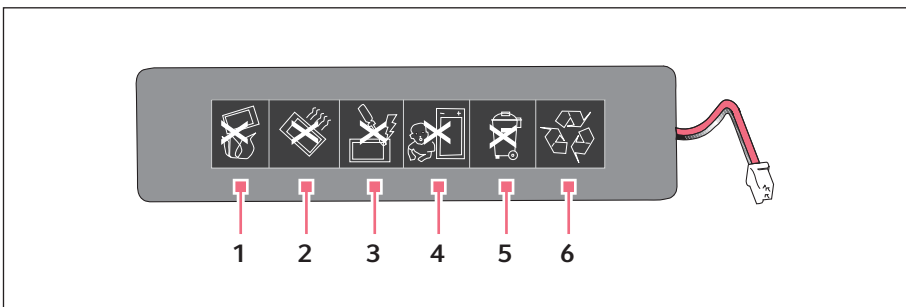
1 Production date**3 Order no.****2 Eppendorf logo and specification**

Fig. 3-5: Rear side

1 Do not dispose of in fire**4 Not suitable for small children****2 Do not heat to more than 60 °C****5 Do not dispose of in domestic waste****3 Do not short-circuit the contacts****6 Recycle the rechargeable battery**

3.10 RFID chip

The Eppendorf dispensing device is equipped with a RFID chip. The RFID chip can be read and written with the TrackIT reader and TrackIT software. The scanned device data is saved in a database and can be opened at any time. The device data can be exported individually or automatically in various formats.

3.10.1 RFID position

The position of the chip on dispensing devices is marked with the lettering **RFID**.

3.11 Materials



NOTICE! Aggressive substances may damage components, consumables and accessories.

- ▶ Check the chemical resistance before using organic solvents or aggressive chemicals.
- ▶ Only use liquids whose vapors do not attack the materials used.

The assemblies which can be accessed by the user are made of the following materials:

Component	Material
External surfaces of the upper part	<ul style="list-style-type: none"> • Improved polypropylene (PP) • Polycarbonate (PC) • Polycarbonate (PC), coated • Polycarbonate (PC), dyed • Gold plated
Exterior and interior of lower parts	<ul style="list-style-type: none"> • Improved polypropylene (PP) • Polyvinylidene fluoride (PVDF) • Polyetherimide (PEI) • Polyphenylene sulfide (PPS) • Polyetheretherketone (PEEK) • Polytetrafluoroethylene (PTFE) • Ethylene propylene diene rubber (EPDM) • Silicone • Steel (stainless steel and spring steel)

Product description

Eppendorf Xplorer®/Eppendorf Xplorer® plus
English (EN)

3.12 Warranty

In case of warranty claims, contact your local Eppendorf contractual partner.

No warranty is given in the following cases:

- In the case of misuse.
- If unauthorized persons open the upper part.

The following assemblies are excluded from the warranty:

- Wear parts
- Rechargeable battery

3.13 Pipette tips

The pipette tips are available with various degrees of purity, with and without filters, and as special tips.

Pipette tip	Use
epT.I.P.S.	Liquids without any special risks.
epT.I.P.S. 384	For multi-channel lower parts with 4.5 mm cone spacing
ep Dualfilter T.I.P.S.	Liquids that require the pipette to be protected from contamination by aerosols.
ep Dualfilter T.I.P.S. SealMax	Pipette tips with two-layer, water-impermeable filters to avoid contamination of the pipette or the samples by aerosols, drops, splashes and in case of accidental over-pipetting. If pipetting organic solvents, liquids with low water concentration or high salt concentration, the blocking effect of the filter is reduced.
ep Dualfilter T.I.P.S. SealMax 384	For multi-channel lower parts with 4.5 mm cone spacing Pipette tips with two-layer, water-impermeable filters to avoid contamination of the pipette or the samples by aerosols, drops, splashes and in case of accidental over-pipetting. If pipetting organic solvents, liquids with low water concentration or high salt concentration, the blocking effect of the filter is reduced.
epT.I.P.S. LoRetention	Liquids whose surface tension is lower than that of water (e.g., with wetting agent).
ep Dualfilter T.I.P.S. LoRetention	Liquids whose surface tension is lower than that of water (e.g., with wetting agent), where the pipette needs to be protected from contamination by aerosols.

4 Installation

4.1 Mains/power supply device assembly



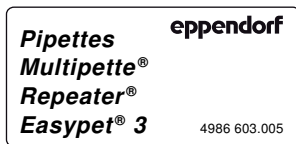
WARNING! Incorrect or damaged mains/power supply devices can cause severe personal injury and damage to the device.

Incorrect or damaged mains/power supply devices may cause electric shock, overheat the device, set it on fire, melt it, short-circuit it, or cause similar damage.

- ▶ Only use the mains/power supply device which is included in the delivery to charge the device. You can identify the correct mains/power supply device by the Eppendorf logo and the device name on the mains/power supply device.
- ▶ Do not use damaged mains/power supply devices.

4.1.1 Identifying the mains/power supply device

The original mains/power supply device from Eppendorf is labeled with the compatible dosing devices, the order number and the Eppendorf logo.



4.1.2 Inserting the power plug adapter

1. Select the appropriate power plug adapters for the mains/power line.
2. Push the power plug adapter on the mains/power supply device until it locks into place.

4.1.3 Replace the power plug adapter.

1. Press and hold down the release on the mains/power supply device.
2. Disconnect the power plug adapter.
3. Select the appropriate power plug adapters for the mains/power line.

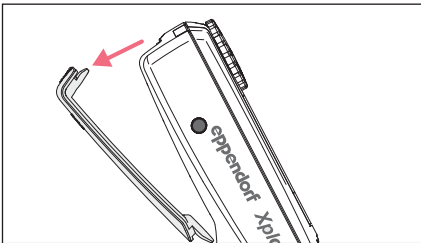
4.2 Connect the rechargeable battery



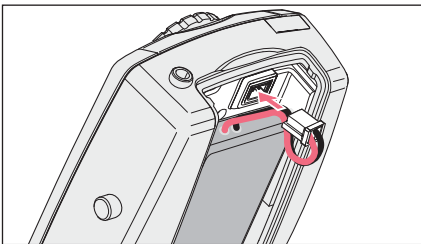
WARNING! Personal injury due to incorrect handling of the rechargeable battery.

- ▶ Only use rechargeable batteries supplied by Eppendorf.
 - ▶ Never pierce, crush or throw the rechargeable battery.
 - ▶ Only use the rechargeable battery in the supplied device.
 - ▶ Do not touch a leaking rechargeable battery.
 - ▶ Do not use a damaged rechargeable battery.
 - ▶ Dispose of rechargeable batteries in accordance with the legal requirements.
-

The Li-polymer rechargeable battery is already inserted into the battery compartment on delivery.



1. Open the rechargeable battery compartment lid.



2. Connect the connector to the connector socket.
3. Close the rechargeable battery compartment lid.

4.3 Setting the *Date* and *Time* – Xplorer plus

Set the *Date* and *Time* parameters during the initial setup.

Prerequisites

- The rechargeable battery is connected.
 - The rechargeable battery is charged.
 - The pipette is switched on.
1. Select *Date* or *Time* using the rocker.
 2. Press the *Select* softkey.
 3. Change the value using the rocker.
 4. Press the *Next* softkey to change the field.
 5. Press the *End* softkey to end the entry.
 6. Change the second parameter in the same way.
 7. Press the *End* softkey to end the entry.
 8. Press the rocker down.

The basic position of the piston is checked. The pipette is ready for use afterwards.

5 Operation

5.1 Charging the rechargeable battery



NOTICE! Loss of full charging capacity of the rechargeable battery if charged incorrectly.

The supplied rechargeable battery is not fully charged. The rechargeable battery will only reach its full capacity after several discharging and charging cycles.

- ▶ Do not charge the rechargeable battery in a hot environment (> 60 °C).
- ▶ Only charge the rechargeable battery using the supplied mains/power supply device.



NOTICE! Material damage due to outdated rechargeable battery.

If the rechargeable battery exceeds its service life, the rechargeable battery may become deformed or burst.

- ▶ Replace the rechargeable battery when the housing is deformed.
- ▶ Replace the rechargeable battery if the charging cycles are unusually short.
- ▶ Replace the rechargeable battery if it is older than 3 years.



If a rechargeable battery is highly discharged, a minimum charge state is required before the dispenser can be used.

The display shows a message indicating when the rechargeable battery needs to be charged.

5.1.1 Charging the rechargeable battery with the mains/power supply device

Prerequisites

- The rechargeable battery is connected.
1. Insert the mains/power supply device into the socket.
 2. Connect the charging plug to the connector socket.
The charging process is shown on the display.
The rechargeable battery symbol flashes during charging.

5.1.2 Charging the rechargeable battery in the charger stand or in the charger carousel



NOTICE! Damage to the pipette due to excessive charging current.

Electronic pipettes or dispensers must not be connected to a mains/power supply device while being in a charger stand or charger carousel. This may destroy the electronics of the pipette and the pipette may catch fire.

- ▶ Disconnect any connected mains/power supply devices from the pipette or the dispenser.
- ▶ It is not permitted to use the mains/power supply device of the pipette and the charger stand or charger carousel in combination.

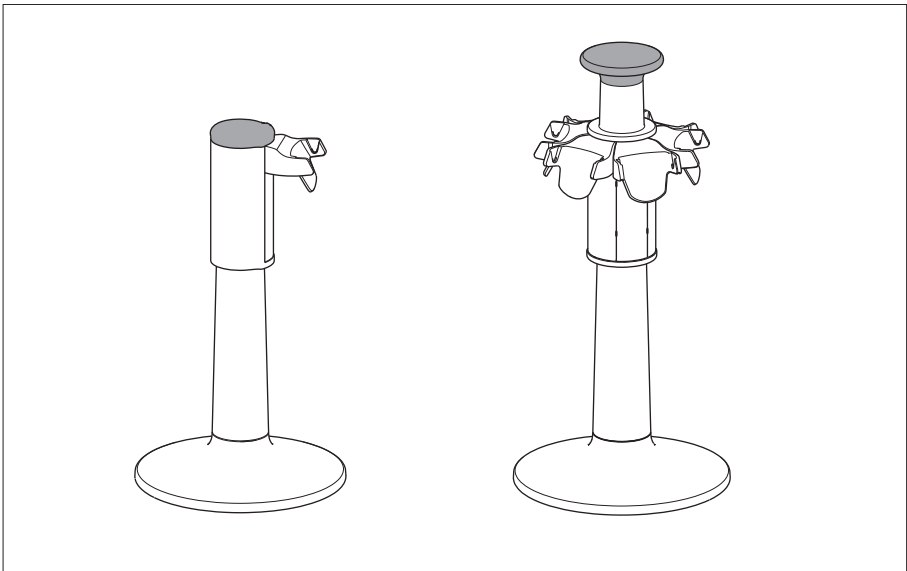


Fig. 5-1: Charger stand and charger carousel

Prerequisites

- The mains/power supply device is connected.
 - A suitable charger shell is inserted.
1. Place the pipette with the charging contacts into the charger shell.
The charging process is shown on the display.

5.2 Preserving the battery capacity

The battery capacity can be preserved over the service life to a great extent.

5.2.1 Longer periods without operation – with charger stand

- ▶ Store the pipette in the plugged-in charger stand.
The state of charge of the battery is automatically monitored and charged.

5.2.2 Longer periods without operation – without charger stand

1. Charge the battery completely if the pipette is not used for a longer period of time (> 4 weeks).
2. Recharge the battery completely every 2 months.

5.2.3 Replacing the rechargeable battery

1. Open the rechargeable battery compartment lid.
2. Loosen the connector of the rechargeable battery from the connector socket.
3. Remove the rechargeable battery.
4. Insert a new rechargeable battery.
5. Connect the connector of the Li-polymer rechargeable battery to the connector socket.
6. Close the rechargeable battery compartment lid.

5.3 Switching the pipette on or off

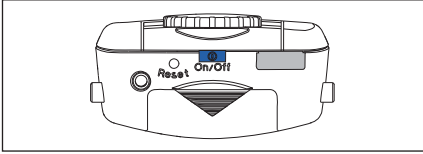


When not in use, the switched on pipette automatically switches to the standby mode after a period of time. The pipette automatically switches back on when it is moved.

Operation

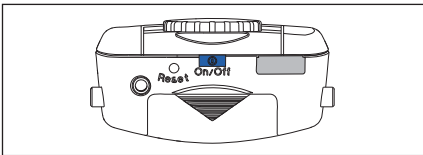
Eppendorf Xplorer®/Eppendorf Xplorer® plus
English (EN)

5.3.1 Switching on



- ▶ Keep the **On/Off** key pressed.
The pipette switches itself on.

5.3.2 Switching off



- ▶ Keep the **On/Off** key pressed.
The pipette switches itself off.

5.4 Sets the operating mode

- ▶ Set the selection dial to the desired operating mode.

5.5 Setting the parameters (edit mode)

Prerequisites

- The pipette is switched on.
- The operating mode has been selected.

Change the parameters as follows:

1. Press the *Edit* softkey to open the edit mode.
2. Press the *Next* softkey to go to the next dispensing parameter.
3. Change the dispensing parameter marked in the display using the rocker.
4. Press the *End* softkey to save the changes, to exit the edit mode and to continue with dispensing.



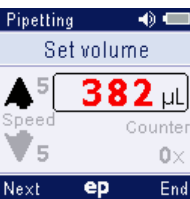
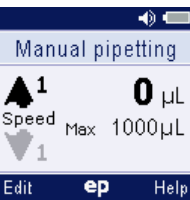


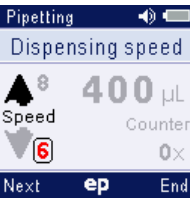
If you want to cancel editing without saving the changes made, briefly turn the selection dial to another mode.



You can change the *Speed*, *Time*, *Cycles* and *Counter* parameters during dispensing.



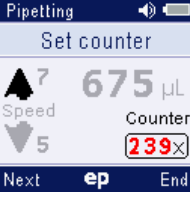

- ▶ Press the *Edit* softkey during execution.

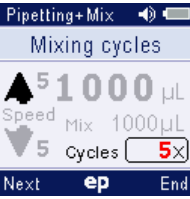
5.5.1 Xplorer/Xplorer plus

Display	Parameter	Mode				
		Ads	Dis	Pip	P/M	Man
 <p>Pipetting Set volume ▲ 5 382 µL Speed Counter ▼ 5 0x Next ep End</p>	<p><i>Set volume</i> Aspiration and dispensing volume.</p>			■	■	
 <p>Manual pipetting ▲ 1 0 µL Speed Max 1000µL ▼ 1 Edit ep Help</p>	<p><i>Set max. volume</i> Maximum aspiration and dispensing volume. The set value appears after editing in the display next to <i>Max</i>.</p>					■
 <p>Dispensing Set volume/step ▲ 5 123 µL Speed Steps ▼ 5 8x Next ep End</p>	<p><i>Set volume/step</i> Volume per dispensing step. The maximum number of aspiration steps (<i>Steps</i>) will be displayed when the <i>Set volume/step</i> is changed.</p>	■	■			
 <p>Pipetting Aspiration speed ▲ 8 400 µL Speed Counter ▼ 6 0x Next ep End</p>	<p><i>Aspiration speed</i> Aspiration speed 8 levels are available. The higher the numerical value, the higher the speed. <i>Aspiration speed</i> will be automatically and approximately used for the blow-out (<i>Blow</i>).</p>	■	■	■	■	■
 <p>Pipetting Dispensing speed ▲ 8 400 µL Speed Counter ▼ 6 0x Next ep End</p>	<p><i>Dispensing speed</i> Dispensing speed 8 levels are available. The higher the numerical value, the higher the speed. <i>Dispensing speed</i> will be automatically and approximately used for the blow-out (<i>Blow</i>).</p>	■	■	■	■	■

Operation




Eppendorf Xplorer®/Eppendorf Xplorer® plus
English (EN)

Display	Parameter	Mode				
		Ads	Dis	Pip	P/M	Man
	<p><i>Set time</i> Interval between the dispensing step (0.1 s to 10 s).</p>	■				
	<p><i>Number of steps</i> Number of dispensing steps The available number of dispensing steps depends on the setting for <i>Set volume/step</i> and is automatically set to the maximum number when <i>Set volume/step</i> is edited. Under steps <input type="text" value="175"/> in the "Sequential dispensing" mode, the selected number of dispensing steps will be displayed to the right, and the dispensing step for the displayed volume will be shown at the left.</p>	■	■			
	<p><i>Set counter</i> The counter counts the number of dispensing operations performed. The numerical value of the counter is increased by 1 when the piston reaches the basic position after dispensing. If the piston is in the basic position, you can alternatively set the counter to 0 by turning the selection dial forward or backward. You can switch the counter on and off in the Options.</p>			■		
	<p><i>Mixing volume</i> The mixing volume used after pipetting. If you change the pipetting volume under <i>Set volume</i>, the mixing volume changes accordingly.</p>				■	

Display	Parameter	Mode				
		Ads	Dis	Pip	P/M	Man
	<p><i>Mixing cycles</i></p> <p>1 to 99 mixing cycles can be set for the mixing volume. The mixing cycles are counted down to 0. If you keep the rocker pressed down during mixing, after 0 has been reached, mixing is continued until the rocker is released. If you press the rocker up during mixing, the mixing process is stopped.</p> <p>The mixing speed matches the selected speed for aspiration and dispensing.</p>				■	

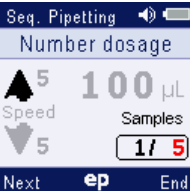
5.5.2 Xplorer plus

- The **Spc** operating mode has been selected.

Display	Parameter	Mode	
		Dil	SeqD
	<p><i>Set sample vol.</i></p> <p>Volume of the sample or reagent</p> <p>The maximum potential diluent volume will be automatically set if the volume of the sample is changed.</p>	■	
	<p><i>Set air volume</i></p> <p>Volume of the air bubble</p> <p>The maximum potential diluent volume will be automatically set if the volume of the air bubble is changed.</p>	■	
	<p><i>Set diluent vol.</i></p> <p>Volume of the dilution solution (diluent)</p> <p>The maximum potential diluent volume will be automatically set if the volume of the sample or the air bubble is changed.</p>	■	

Operation

Eppendorf Xplorer®/Eppendorf Xplorer® plus
English (EN)

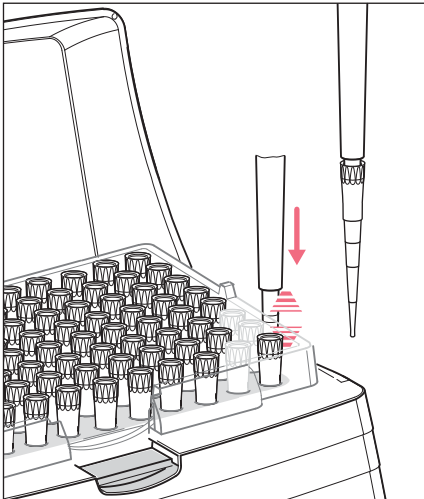
Display	Parameter	Mode	
		Dil	SeqD
	<p><i>No. dosage</i></p> <p>Number of dispensings performed. A maximum of 10 steps are available.</p> <p>The selected number of dispensings will be shown in red under <i>Samples 1/5</i> at the right of the display. The active dispensing step will be activated by the number at the left.</p>		■

5.6 Using pipette tips

The liquid to be dispensed is aspirated into pipette tips.

The pipette can only be used if a pipette tip has been attached. You can either attach the pipette tip by hand or directly insert the end of the pipette into a tip held in the tip storage box (e.g., epT.I.P.S. tray).

- i** The color coding of the pipette matches that of the epT.I.P.S. tray.
- i** If you attach a pipette tip by hand, it must be handled in a way that prevents both the contamination and heating of the pipette tip.



1. Select the appropriate pipette tip(s).
2. Fit the appropriate pipette tip on the tip cone, applying light pressure. The pipette tip is fitted securely when the tip cone responds with spring-loaded action.

- i** You can deactivate the spring-loaded action of the tip cones.
- i** The tip cones on pipette models larger than 1000 µL do not respond with spring-loaded action.
- i** Do not use filter tips if a filter sleeve with protection filter is inserted.

5.7 Volume limit in the case of pipette tips with a filter

A filter in the pipette tip reduces the volume of the pipette tip. With some ep Dualfilter T.I.P.S filter tips, the volume of liquid aspirated must be limited in all dispensing modes and during reverse pipetting (see (see *Volume limit – setting the volume limit on p. 56*)).

5.8 Tips for correct pipetting

Observe the following information in all dispensing modes:

5.8.1 Preparing pipetting

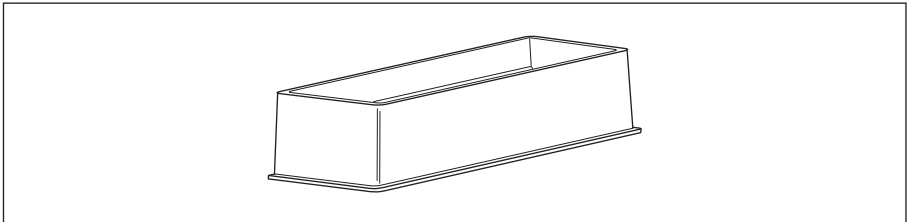


Fig. 5-2: Tip-Tub reagent reservoir

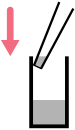
- ▶ Always place the liquid in a suitable tube. For multi-channel pipettes, we recommend the Tip-Tub reagent reservoir as a liquid reservoir. The liquid and the pipette should have approximately the same temperature.
- ▶ Use the pipette tips only once.
- ▶ Use epT.I.P.S. LoRetention for solutions containing surfactants is for minimizing residual moisture in the tip after dispensing.
- ▶ Use ep Dualfilter T.I.P.S. to prevent aerosol contamination in the tip.
- ▶ Check whether the set aspiration and dispensing speeds are suitable for the liquid. The blow-out (Blow) will be conducted at approximately the same speeds.

5.8.2 Aspirating liquid

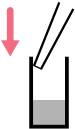


1. Wet the new pipette tip by aspirating and dispensing the liquid to be pipetted one to three times.
2. Vertically immerse the pipette tip into the liquid approx. 4 mm during aspiration.
3. Press the rocker up to aspirate liquid. Maintain the immersion depth to ensure no air is accidentally aspirated.
4. For large volumes, keep the pipette tips in the liquid for approx. 3 seconds after aspiration.
5. After aspiration, slowly pull the pipette tip out of the liquid.

5.8.3 Dispensing liquid



1. When dispensing liquid, place the pipette tip at a slight angle against the wall of the tube.
2. Press the rocker down to dispense the liquid.
3. After dispensing, wait until no more liquid is dispensed.



4. Press the rocker down again to trigger the blow-out (Blow).
5. Wipe the pipette tip against the tube wall.



Stopping the piston movement

Pressing the rocker in the other direction when the piston is still moving will stop the piston movement. You can then move the piston either up or down by pressing the rocker in the corresponding direction. Pressing the rocker up will abort a mixing process.

Operating modes with the rocker pressed down: in the **Man** mode, the ongoing piston movement is immediately stopped by releasing the rocker. In the **Ads** mode, an ongoing dispensing step is completed after the rocker is released. The next dispensing step is only performed when the rocker is pressed accordingly.



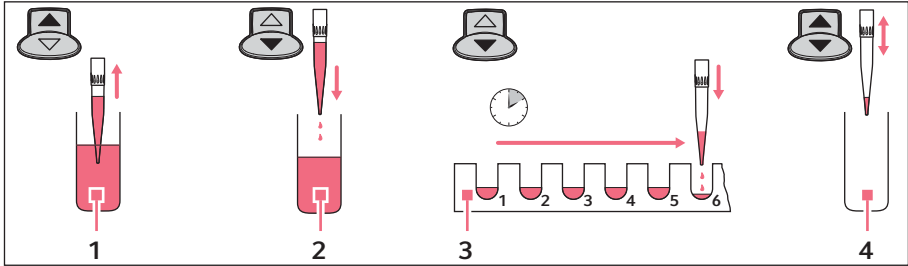
- Free jet dispensing may be used to dispense aqueous solutions with a volume of approximately 20 µL or more. We recommend wall dispensing for dispensing aqueous solutions with a smaller volume.
- Select level 8 for the *Speed* parameter when using free jet dispensing and if the geometry of the dispensing tube permits this action.
- If you dispense liquid in the free jet, the reverse stroke must also be dispensed in the free jet. If a drop then forms on the pipette tip, it is included in the first dispensing volume.
- For wall dispensing, trigger the reverse stroke with the pipette tips on the tube inner wall.
- During dispensing, do not switch between free jet dispensing and wall dispensing.

The following information applies especially to high viscous solutions:

- ▶ During the blow-out (Blow), keep the rocker pressed down if the liquid is flowing out at a slow rate to ensure that the liquid can securely flow out. If you keep the rocker pressed during the blow-out (Blow), the piston in the pipette will remain at its lowest position.
- ▶ Wipe any outer wetting against the wall of the tube while holding the rocker pressed down.
- ▶ Leave the dispensing vessel with the rocker pressed down. The rocker may only be released outside of the dispensing vessel. The piston will only move to its basic position after the rocker has been released.
- ▶ Press the rocker down again to repeat the blow-out (Blow) as necessary.

5.9 Automatic dispensing (Ads selection dial setting)

In the *Auto dispensing (Ads)* mode, liquid is aspirated and dispensed in uniform partial volumes in selected time intervals. The reverse stroke and remaining stroke are triggered before or after the dispensing steps.



1 **Aspiration**

2 **Reverse stroke**

3 **Auto dispensing**

4 **Aspirate or empty**

Prerequisites

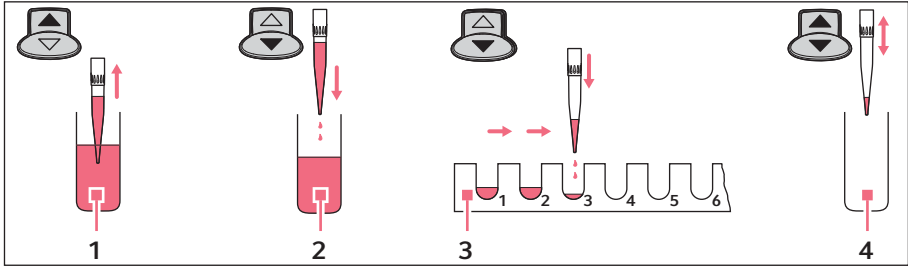
- The pipette is switched on.
 - The *Auto dispensing (Ads)* operating mode has been selected.
 - The parameters have been set.
 - The pipette tip has been attached.
1. Press the rocker up to aspirate liquid.
Then follow the instructions on the display.
 2. Press the rocker down to trigger the reverse stroke.
 3. Keep the rocker pressed for the duration of dispensing. After the first dispensing step, the following dispensing steps are triggered with the displayed time interval (*Time*).
 - ▶ Press the *Empty* softkey to cancel dispensing. The tip is completely emptied.
 - ▶ When you release the rocker, an ongoing dispensing operation is still completed. The display shows the possible dispensing steps under *Steps*. Press the rocker again to continue dispensing.

After dispensing, decide whether the residual liquid should be dispensed or liquid should be aspirated again.

- ▶ **Liquid aspiration:** press the rocker up once.
- ▶ **Liquid dispensing:** press the rocker down twice.

5.10 Dispensing of liquid – Dis selection dial setting

In the *Dispensing (Dis)* mode, liquid is aspirated and individually dispensed in uniform partial volumes. The reverse stroke and remaining stroke are triggered before or after the dispensing steps.



1 Aspiration

2 Reverse stroke

3 Dispensing

4 Aspirate or empty

Prerequisites

- The pipette is switched on.
- The *Dispensing (Dis)* operating mode has been selected.
- The parameters have been set.
- The pipette tip has been attached.

1. Press the rocker up to aspirate liquid.
2. Press the rocker down to execute the reverse stroke.
3. Press the rocker down again for each dispensing operation. The display indicates the remaining dispensing steps under *Steps*.

After dispensing, decide whether the residual liquid should be dispensed or liquid should be aspirated again.

▶ **Liquid aspiration:** press the rocker up once.

▶ **Liquid dispensing:** press the rocker down twice.



▶ Press the *Empty* softkey to cancel dispensing. The tip is completely emptied.

▶ Press the rocker up to stop a current dispensing of a large dispensing volume.

Operation

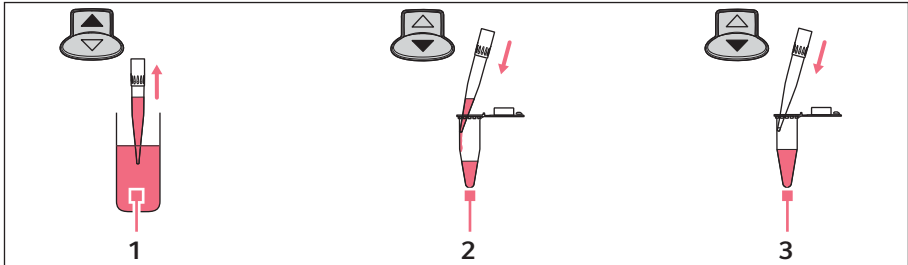
Eppendorf Xplorer®/Eppendorf Xplorer® plus
English (EN)

5.11 Pipetting of liquid – Pip selection dial setting

5.11.1 Standard pipetting

In the *Pipetting (Pip)* mode, liquid is aspirated and then dispensed again.

- i** The number of dispensing steps performed can be counted with a counter (*Counter*). The counter (*Counter*) can be activated in the *Option (Opt)* mode, if desired.



1 Aspiration

3 Blow-out

2 Dispensing

Prerequisites

- The pipette is switched on.
- The *Pipetting (Pip)* operating mode has been selected.
- The parameters have been set.
- The pipette tip has been attached.

1. Press the rocker up to aspirate liquid.
2. Press the rocker down to dispense the liquid.
3. Press the rocker down again to dispense the residual liquid.
This blow-out (Blow) is necessary to completely dispense the liquid.

- i** Hold the rocker pressed down to trigger dispensing and blow-out (Blow) in a step.

- i** If you only hold the rocker pressed down during the blow-out (Blow) after dispensing, the piston remains in the lowest position. The piston will only return to the basic position after the rocker has been released. This presents the following advantages:

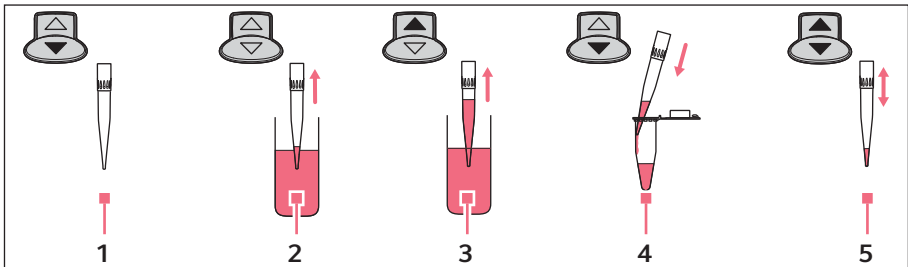
- ▶ If you pipette liquid that drains slowly, you can allow this liquid to flow out.
- ▶ You can immerse the pipette tip in the target liquid to prevent unintentional aspiration.

- i
 - ▶ You can trigger the blow-out (Blow) any time the piston is in the basic position. Press the rocker down.
 - ▶ Press the rocker in the opposite direction if you would like to stop aspiration or dispensing while it is in progress. The display shows the volume present in the pipette tip after the respective operation has been stopped. You can then continue with liquid aspiration or dispensing.

- i
 - Dispense the liquid against the tube inner wall if you are determining the systematic and random errors.

5.11.2 Reverse pipetting (Xplorer)

By using the blow-out, more liquid is aspirated with reverse pipetting than with standard pipetting. During dispensing, the blow-out (Blow) does not belong to the dispensing volume. Reverse pipetting is advantageous for plasma, serum and other liquids with a high protein content. Reverse pipetting is not necessary for pipetting aqueous solutions.



- | | |
|--|--|
| <p>1 Keep the rocker pressed</p> <p>2 Aspirate the blow-out</p> <p>3 Aspirate</p> | <p>4 Dispense</p> <p>5 Aspirate or empty</p> |
|--|--|

Prerequisites

- The pipette is switched on.
 - The *Pipetting (Pip)* operating mode has been selected.
 - The parameters have been set.
 - The pipette tip has been attached.
1. Keep the rocker pressed down.
 2. Immerse the pipette tip in the liquid.
 3. Release the rocker to aspirate the blow-out.
 4. Press the rocker up to aspirate the dispensing volume.
 5. Place the pipette tip on the wall of the target tube.
 6. Press the rocker down to dispense the liquid.

Operation

Eppendorf Xplorer®/Eppendorf Xplorer® plus
English (EN)

7. Remove the pipette tip from the destination tube. Residual liquid remains in the tip. There are two courses of further action:

Aspirate the same liquid from the same reservoir tube.

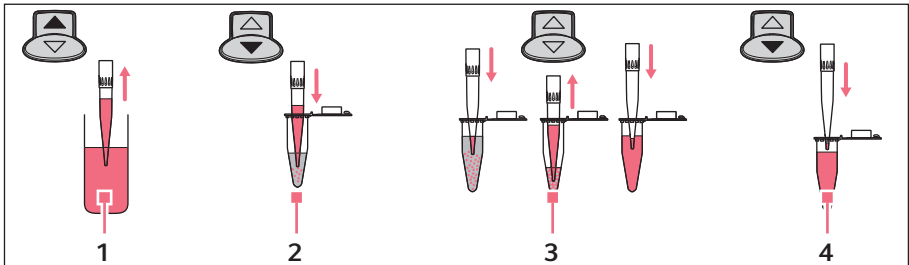
- ▶ Press the rocker up to aspirate the same liquid. The residual liquid in the tip is used for further processing.

Dispense a different liquid

1. Press the rocker up to discard the residual liquid in the tip.
 2. Press the ejector to eject the pipette tip.
- Use a new pipette tip for the next dispensing operation.

5.12 Pipetting and mixing of liquids – P/M selection dial setting

In the *Pipetting+Mix* (P/M) mode, liquid is aspirated and then dispensed again. Afterwards, an adjustable number of mixing cycles is automatically triggered. The mixing cycles can be continued as often as required.



1 Aspiration

2 Dispensing

3 Auto mixing

4 Blow out

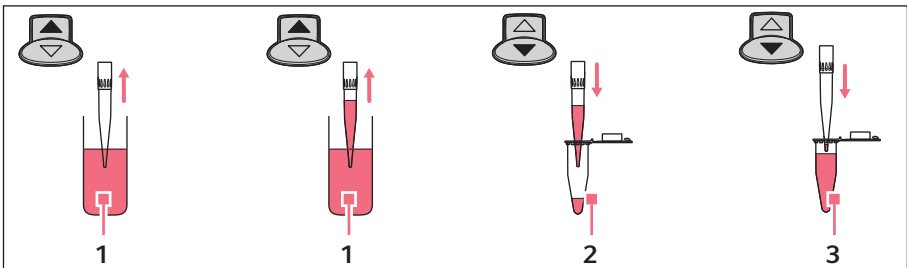
Prerequisites

- The pipette is switched on.
 - The *Pipetting+Mix* (P/M) operating mode has been selected.
 - The parameters have been set.
 - The pipette tip has been attached.
1. Press the rocker up to aspirate liquid.
 2. Press the rocker down to dispense the liquid and start the selected mixing cycle. The mixing cycles shown under *Cycles* in the main field of the display are reduced by 1 with each cycle.
 3. After the mixing process, press the rocker down to trigger the blow-out (Blow). If you keep the rocker pressed during the blow-out, the piston moves to the lowest position and remains there until the rocker is released.

- i** ▶ Press the rocker down to stop aspiration.
- ▶ Press the rocker up to stop dispensing or the current mixing cycles.
- ▶ Hold the rocker pressed down during the mixing cycles to conduct an unlimited number of mixing cycles. The current mixing cycle will still be completed after the rocker has been released.

5.13 Manual pipetting of liquid – Man selection dial setting

In the *Manual Pipetting (Man)* mode, the pipette is used like a manual dispenser. The maximum aspiration volume can be limited if required. Aspiration can be stopped or continued, or the direction can be changed, as often as required.



1 Aspiration

3 Blow-out

2 Dispensing

- i** You can set a maximum aspiration volume using the *Set max. volume* parameter in the *Option (Opt)* mode. The maximum aspiration volume will be displayed during dispensing (*Max*).

Prerequisites

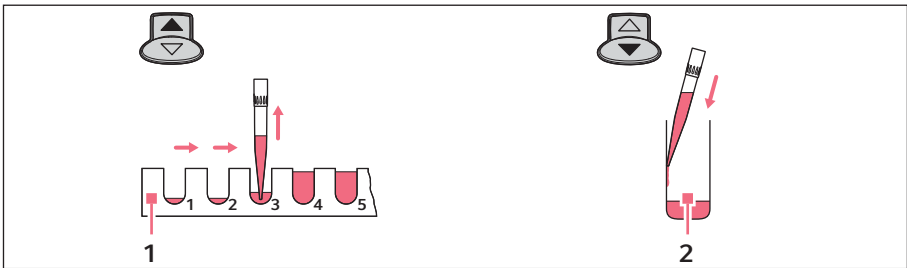
- The pipette is switched on.
 - The *Manual Pipetting (Man)* operating mode has been selected.
 - The parameters have been set.
 - The pipette tip has been attached.
1. To aspirate or dispense liquid, press the rocker up or hold it pressed down. The piston movement stops when the rocker is released. The display shows the liquid volume in the pipette tip.
 2. If the piston is in the basic position, you can trigger the blow-out (Blow) any time by pressing the rocker down. If you keep the rocker pressed during the blow-out (Blow), the piston moves to the lowest position and remains there until the rocker is released.

5.14 Special operating modes (Xplorer plus)

If you have never worked with the Xplorer pipette, we recommend becoming familiar with one of the simple operating modes first, e.g., *Pipetting* or *Dispensing*. If you turn the selection dial to the **Spc** dial setting, the special operating modes will be shown in a selection list in the display.

5.14.1 Multiple aspiration of liquid (Aspirate) – Spc selection dial setting

A specific volume will be aspirated in the *Multi-Aspirate* mode several times. All of the liquid will be dispensed after the aspiration. The *Multi-Aspirate* mode is the opposite of the dispensing mode.



1 Aspirating partial volumes

2 Dispensing

Prerequisites

- The pipette is switched on.
- The *Multi-Aspirate* (**Spc**) operating mode has been selected.
- The parameters have been set.
- The pipette tip has been attached.



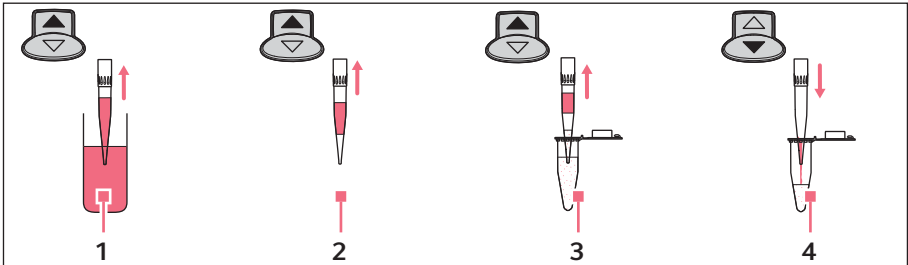
The *Set volume/step* parameter determines the volume to be aspirated for each step. The maximum number of aspiration steps (*Steps*) will be displayed when the *Set volume/step* is set.

1. For every aspiration, press the rocker up to aspirate liquid.
The following message appears on the display after aspiration has been completed:
Piston is in top position! Press rocker down!
2. Press the rocker down to dispense all of the liquid.
3. Press the rocker down again to trigger the blow-out (*Blow*).
4. If the piston is back in the basic position: press the *Back* softkey to exit the mode.

5.14.2 Diluting liquid (Diluting) – Spc selection dial setting

Two different liquids are aspirated in the *Diluting* mode. These liquids are separated by an air bubble. The *Diluting* mode is suitable for diluting samples and reagents using an appropriate dilution solution (diluent). First, the diluent is aspirated, then the air bubble, and finally the sample or reagent.

i Because both liquids are aspirated in a single pipette tip, the sample or reagent may be slightly contaminated by the dilution solution.



1 Aspiration of the diluent

2 Air bubble

3 Aspiration of the sample or reagent

4 Dispensing

Prerequisites

- The pipette is switched on
- The *Diluting (Spc)* operating mode has been selected.
- The parameters have been set.
- The pipette tip has been attached.



i For execution, the parameter sequence is carried out in the reverse order of the editing process. The next volume to be aspirated will be shown on the display with a border around it.

1. Press the rocker up to aspirate the diluent.
2. Press the rocker up to aspirate the air bubble.
3. Press the rocker up to aspirate the sample or reagent.
4. Press the rocker down to dispense all of the liquid.
5. Press the rocker down to trigger the blow-out *Blow*.
6. If the piston is in the basic position: press the *Back* softkey to exit the mode.

i Set a high value for the *Dispensing speed* parameter to achieve a good mixture for dispensing.

Operation

Eppendorf Xplorer®/Eppendorf Xplorer® plus
English (EN)

-  To achieve a very high mixture, you can enter the *Diluting* mode with the *Pipetting+Mix* mode as the program.
-  When using pipette tips with a large diameter, it is recommended to use low speed levels for liquid aspiration. For a nominal volume of 5 mL and 10 mL, the use of pipette tips with the label L (Long) is recommended.

5.14.2.1 Examples

Required auxiliary equipment:

- Xplorer plus with a nominal volume of 1000 µL
- Dispensing tube (1.5 mL)

Example 1 – total volume 500 µL, dilution 1:10

- Diluent: 450 µL
- Air bubble: 300 µL – 500 µL
- Sample or reagent: 50 µL

Example 2 – total volume 900 µL, dilution 1:10


- Diluent: 810 µL
- Air bubble: 100 µL
- Sample or reagent: 90 µL

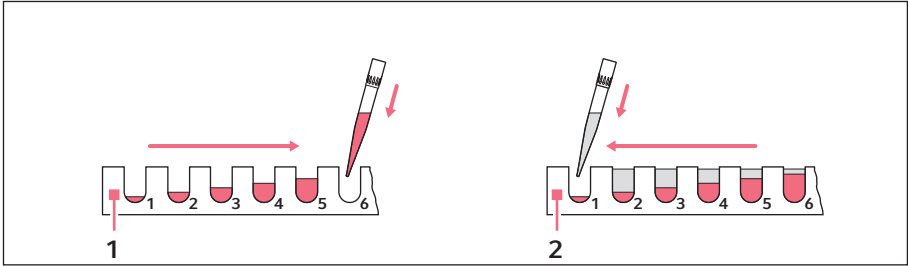
Example 3 – total volume 1000 µL, dilution 1:10

- Diluent: 900 µL
- Air bubble: 0 µL
- Sample or reagent: 100 µL

5.14.3 Sequential dispensing of liquid – Spc selection dial setting

Up to 10 different volumes can be dispensed in the *Seq. Dispensing* mode. The sum of the dispensing volumes may not exceed the pipette tip filling volume. This mode is well suited for dilution series. The *Seq. Pipetting* mode is also well suited for dilution series. To conduct a dilution series, dispense two different liquids in the opposite direction. This allows you to achieve different dilutions with the same volume per tube.

-  If the sum of the dispensing volumes exceeds the volume of the pipette tip: create a program and execute the mode several times in a row.



1 Sequential dispensing of solution 1

2 Sequential dispensing of solution 2 in the opposite direction

Prerequisites

- The pipette is switched on.
- The *Seq. Dispensing (Spc)* operating mode has been selected.
- The parameters have been set
- The pipette tip has been attached.

1. Press the rocker up to aspirate liquid.
2. Press the rocker down to execute the reverse stroke.
3. Press the rocker down for each dispensing step.
4. If the piston is in the basic position: press the *Back* softkey to exit the mode.

5.14.3.1 Example

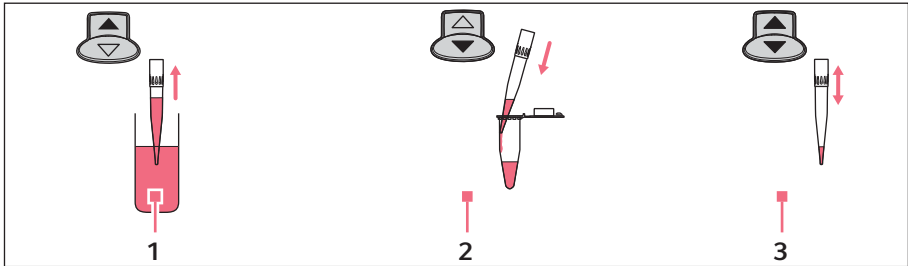
Required auxiliary equipment:

- Xplorer plus with a nominal volume of 300 µL
- 4 dispensing tubes (200 µL)

	Tube 1	Tube 2	Tube 3	Tube 4
Volume/step ➡	30 µL	60 µL	90 µL	120 µL
Volume/step ⬅	120 µL	90 µL	60 µL	30 µL
Dilution 1+X	1+4	1+1.5	1+0.67	1+0.25
Dilution 1:Y	1:5	1:2.5	1:1.67	1:1.25
Tube total	150 µL	150 µL	150 µL	150 µL

5.14.4 Reverse pipetting of liquid – Spc selection dial setting

The *Rev. Pipetting* mode is well suited for plasma, serums and other liquids with a high protein content. The *Pipetting* mode is also well suited for aqueous solutions. The *Rev. Pipetting* mode is also well suited for solutions containing wetting agents in order to minimize the formation of foam during dispensing in the target tube. The liquid is aspirated using blow-out (*Blow*). The blow-out is not part of the dispensing volume and may not be dispensed into the target tube. If you use the same liquid again, the blow-out may remain in the tip. If you use a different liquid, discard the blow-out and the pipette tip.



1 **Aspiration**

2 **Dispensing**

3 **Aspirate or empty**

Prerequisites

- The pipette is switched on.
- The *Rev. Pipetting (Spc)* operating mode has been selected.
- The parameters have been set.
- The pipette tip has been attached.

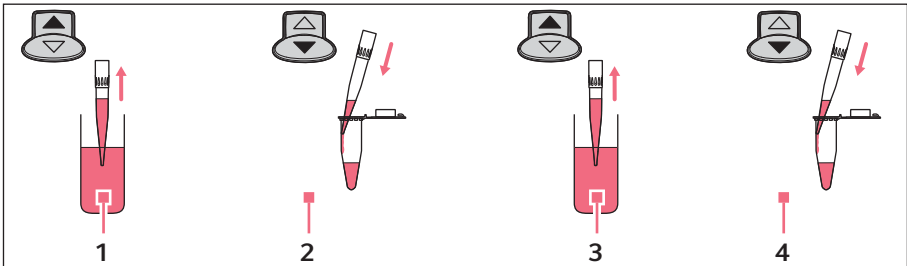
1. Press the rocker up to aspirate the blow-out and the liquid to be dispensed. The aspiration of the dispensing volume and blow-out will be displayed under the dispensing volume with the label + *Blow* ▲.
2. Press the rocker down to dispense the liquid. The piston returns to the basic position. Liquid remains in the tip after the dispensing volume has been dispensed.
 - Press the rocker up to aspirate the same liquid.
 - Press the rocker down to end the pipetting and discard the blow-out (*Blow*).



If necessary, activate the *Counter* setting in the options to count the executed dispensings using the pedometer.

5.14.5 Sequential pipetting of liquid – Spc selection dial setting

In the *Seq. Pipetting* mode, a maximum of 10 different pipetting volumes are dispensed in a fixed sequence. This mode is well suited for dilution series. The *Seq. Dispensing* mode is also well suited for dilution series. The random error (precision) and systematic error (accuracy) are better for pipetting than with dispensing. The *Seq. Pipetting* mode offers more flexibility with the volume selection than the *Seq. Dispensing* mode.



1 Aspiration

2 Dispensing

3 Aspiration

4 Dispensing

Prerequisites

- The pipette is switched on.
- The *Seq. Pipetting (Spc)* operating mode has been selected.
- The parameters have been set.
- The pipette tip has been attached.

1. Press the rocker up to aspirate liquid.
2. Press the rocker down to dispense the liquid.
3. Press the rocker downward after the dispensing to execute the blow-out (*Blow*).
4. If the piston is in the basic position: press the *Back* softkey to exit the mode.



- ▶ After each dispensing, you can repeat the blow-out (*Blow*) as many times as you would like by pressing the rocker down.
- ▶ Observe the information on the blow-out (*Blow*).

5.15 Executing the saved program – Prg selection dial setting (Xplorer plus)

Previously stored programs can be executed in the *Program (Prg)* operating mode. Programs consist of 1-4 combined operating modes in a defined sequence. Up to 10 different programs can be created.

Prerequisites

- The pipette is switched on.
- The *Program (Prg)* operating mode has been selected.
- The program has been created.
- The pipette tip has been attached.

1. Select the program using the rocker.
2. Press the *Select* softkey.

The execution of the program depends on the operating modes used.



The blow-out (*Blow*) must always be executed in the "Pipetting" mode.

5.16 Editing the program – Edit selection dial setting (Xplorer plus)

Programs and pipettings with fixed volumes can be created and edited in the *Edit* mode. Stored programs can be executed in the *Program (Prg)* mode. Stored programs with fixed volumes can be stored in the *Fixed volumes (Fix)* mode. If necessary, programs and pipettings with fixed volumes can be password protected using the *Pswrd. protection* option.

Prerequisites


- The pipette is switched on.
- The **Edit** operating mode has been selected.

1. Select the desired list entry using the rocker.
2. Press the *Select* softkey.


The next steps are described in the following subchapters.

5.16.1 *Pswrd. protection*

You can protect the *Edit* mode and in the **Opt** mode the *Adjustment* option using a four-digit, numerical password. This prevents stored programs and pipettings from being changed. The passwords for the *Edit* mode and the *Adjustment* option in the **Opt** mode may vary. The password can be changed or deactivated after it has been entered. If you lose your password, please contact your local Eppendorf distribution partner to obtain a temporary password (*Master key*). Keep the pipette at hand when you make the call.

 If you lose the password for the *Edit* mode, you will not be able to change any programs or pipettings with fixed volume.

1. Turn the selection dial to **Edit**.

 You can also activate a password protection under the selection dial setting **Opt** after selecting the *Adjustment* option.

2. Select the *Pswrd. protection* option using the rocker .
ON appears in the display.

3. Press the *Select* softkey.


4. Use the rocker to select the digit.

5. Press the *Select* softkey.

6. Press the *Next* softkey to switch to the next field.

7. Enter data in all of the fields.

8. Press the *Save* softkey to save the password.

 Re-enter the password to deactivate the password protection.

5.16.2 **Creating or changing *Fixed volume***

Creating a new pipetting

1. Select the *New fixed volume* entry using the rocker.

The parameters of the most recently used pipetting will be displayed when the *New fixed volume* entry is opened. Up to 10 fixed volumes can be saved.

2. Press the *Edit* softkey.

3. Change the parameters as you did in the *Pipetting* mode.

4. Press the *Save* softkey.

The saved pipetting now appears in the *Fixed volumes (Fix)* operating mode with dispensing volume, aspiration speed and dispensing speed.

Changing saved pipettings

1. Select the pipetting using the rocker.

2. Press the *Select* softkey.

3. Select the *Edit* option.

4. Press the *Select* softkey.

5.16.3 Creating or changing *Program*

Creating a new program

1. Select the *New program* entry using the rocker. Up to 10 programs can be saved. You will be prompted to name the program. You can enter a name with a maximum of six characters.




The program name cannot be changed later. Copy the program to change the name. You will be prompted to enter a new name. Then delete the original program.

2. Select the characters using the rocker.
3. Press the *Next* softkey to switch to the next field.
4. Press the *Save* softkey to save the name.
5. Select the first operating mode. All operating modes except *Manual Pipetting* are available.
6. Press the *Edit* softkey.
7. Change the parameters of the mode as usual.
8. Press the *Save* softkey.
 - A list with all of the previously saved program modes appears.
 - Press the *Next* softkey to add another mode. A program can contain up to 4 modes.
 - Press the *Save* softkey to save the program. The saved program now appears in the *Program (Prg)* operating mode.

Changing the saved program

Prerequisites

To change the mode of a program, the program needs to be saved first.

1. Select a saved program from the list.
2. Press the *Select* softkey.
 -  Select the *Copy* option to create a program based on another program. You must then enter a name for the copied program. If you only want to change the name of a program, select the *Copy* option.
3. Select the *Edit* option.
4. Press the *Select* softkey.
 - Select the *Edit mode* option to change a program mode.
 - Select the *Insert mode* option to add a mode to the program.
 - Select the *Delete mode* option to delete a program mode.

5.17 Pipetting with fixed volume – Fix selection dial setting (Xplorer plus)

Previously stored programs with fixed volumes can be executed in the *Fixed volumes (Fix)* mode. Up to 10 different pipettings can be created. 3 fixed volumes are predefined upon delivery:

- 10% of the nominal volume
- 50% of the nominal volume
- 100% of the nominal volume

The aspiration speed ▲ and dispensing speed ▼ are displayed to the right of the fixed volume.

Prerequisites

- The pipette is switched on.
- The *Fixed volumes (Fix)* operating mode has been selected.
- Pipetting with fixed volume has been created.
- The pipette tip has been attached.

1. Select the pipetting using the rocker.
2. Press the *Select* softkey.
3. Press the rocker up to aspirate liquid.
4. Press the rocker down to dispense the liquid.
5. Press the rocker downward after the dispensing to execute the blow-out (*Blow*).


5.18 Option – Opt selection dial setting

You can set the following options, which apply to all operating modes in the *Option* mode.

Options:

- *General help*
- *Volume limit*
- *Counter*
- *Ejector reset*
- *Rocker setting*
- *History*
- *Sound level*
- *Brightness*
- *Adjustment*
- *Language*
- *Personalization*
- *Service*
- *Service interval*
- *Date/Time*

Prerequisites


- The pipette is switched on.
 - The *Option* operating mode has been selected.
1. Select the list entry using the rocker.
 2. Press the *Select* softkey to open the list entry.
 3. Change the list entry using the rocker.
 4. Press the *End* or *Back* softkey to exit the list entry.
 5. Turn the selection dial to a different operating mode to exit the *Option* function and to continue with dispensing operations.
-  ▶ Press the *Help* softkey to display information on the selected option.

5.18.1 General help – calling a description of the modes

This describes the elementary steps for all modes. This option does not contain any adjustable parameters.

5.18.2 Volume limit – setting the volume limit

This limits the aspiration volume in all dispensing modes.

-  After a volume limit has been set, a message will be shown on the display when the **Pip**, **P/M** and **Man** operating modes are edited and when the volume limit has been reached. In this mode, too large dispensing volumes will be automatically reduced to the defined volume limit. The number of potential dispensing steps will be automatically limited in the **Dis** and **Ads** modes. If the corresponding volume is above the defined volume limit, saved dispensings can no longer be executed under *History* and under the **Spc**, **Prg** and **Fix** modes. The volume can be changed in the corresponding mode or the **Edit** mode.
- After a volume limit has been set, not all options can be used in the **Spc** mode.

Use the volume limit in the following cases:

- For strongly foaming solutions in order to prevent contamination of the tip cone or the protection filter.
- For pipette tips or filter tips whose aspiration volume is smaller than the nominal volume of the pipette.
- When using ep Dualfilter T.I.P.S. in the **Ads**, **Dis** and **Pip** (reverse pipetting) modes and the Xplorer plus *Rev. Pipetting* mode. For these three versions, there is a risk of the liquid coming into contact with the dualfilter because of the additional volumes during aspiration.

ep Dualfilter T.I.P.S.	Volume limit	
	Ads/Dis	Reverse pipetting
10 µL	–	–
20 µL	–	17 µL
100 µL	–	–
200 µL	–	170 µL
300 µL	270 µL	260 µL
1000 µL	–	950 µL
1250 µL Long*	–	1130 µL
5 mL	4.9 mL	4.6 mL**
5 mL Long*	–	–
10 mL Long*	9.75 mL	8.5 mL**

* When using these filter tips, we recommend that you use the *epTIPS long* adjustment in order to increase the accuracy of dispensing. The volume limit stated applies only to the changed adjustment.

** We recommend this volume limit even when performing reverse pipetting and using the 5 mL and 10 mL epT.I.P.S. without a filter.

Other volume limits may apply when using filter tips from other manufacturers. The volume limit differs depending on the tip geometry and the position of the filter in the tip.

The volume limit is dependent on the additional aspirated volumes of the pipette. On the Xplorer the individual nominal volumes result in different additional volumes.

Xplorer Single-channel and multi-channel	Additional aspiration volumes	
	Ads/Dis	Reverse pipetting
10 µL	approx. 0.6 µL	approx. 2 µL
20 µL	approx. 1.2 µL	approx. 4 µL
100 µL	approx. 7 µL	approx. 20 µL
200 µL	approx. 12 µL	approx. 40 µL
300 µL	approx. 20 µL	approx. 60 µL
1000 µL	approx. 65 µL	approx. 200 µL
1200 µL	approx. 140 µL	approx. 220 µL
2.5 mL	approx. 160 µL	approx. 470 µL
5 mL	approx. 0.3 mL	approx. 1 mL
10 mL	approx. 0.55 mL	approx. 1.8 mL

5.18.3 Counter – switching the counter for dispensing steps on/off

The counter provides information on the dispensing operations performed in the **Pip** mode. You can switch the counter on and off using the rocker. After you select the **Pip** mode, an activated counter shows 0. The value can be changed in the **Pip** mode.

5.18.4 Ejector resetlabware

The *Ejector reset* option has two settings:

- *ON* (default setting) – the piston automatically moves to the basic position even when a filled pipette tip is ejected.
- *OFF* – the piston does **not** automatically move to the basic position.



CAUTION! Unintended dispensing when the *Ejector reset* option is activated.

- ▶ When working with a removed ejector sleeve, set the *Ejector reset* option to *OFF* to prevent unintentional dispensing from the pipette tip in case the ejector is accidentally pressed.
-


5.18.5 Rocker setting – setting the speed of the rocker

The change speed of the volume in the editing mode can be adjusted to suit your needs. 8 levels are available (1 = slow, 8 = very fast). Level 5 is set upon delivery.

5.18.6 History – saving and displaying dispensing settings

If you activate the *History* option, the *History* softkey will be activated instead of the *Help* softkey for most of the operating modes. The last 10 dispensing settings of the active mode can be accessed using the *History* softkey. The dispensing steps appear in chronological order. Dispensing settings will only be stored if the *History* option is activated.

5.18.7 Setting the *Sound level*

You can change the sound volume of the acoustic signals. At 0 volume, the sound is switched off and the  symbol will not be displayed.

5.18.8 Setting the *Brightness (display)*


The display brightness can be adjusted to suit your needs.

5.18.9 Setting the *Adjustment*

The piston stroke of the Xplorer pipettes can be changed in the *Adjustment* option by the user. You can select another adjustment instead of the "Factory setting". Instructions on performing the adjustment can be found in the document *adjustment* on our webpage www.eppendorf.com/manuals.



- ▶ Making an adjustment sets the dispensing volume in such a way that systematic error is minimized for the intended application. Carry out a gravimetric test of the adjustment.
- ▶ Every pipette whose adjustment has been changed must be marked with a clearly visible label that indicates the type of change made. This ensures that other users will be informed of the changes to the adjustment, in addition to the information provided in the header of the display.
- ▶ You can overwrite a selected adjustment by selecting another adjustment. The applicable symbols for the new adjustment will be shown in the display header.
- ▶ For the Xplorer plus, the adjustment can be protected with a password.

If another adjustment has been selected instead of the factory setting, the  symbol and at least one additional symbol appear in the display header. Before changing an adjustment, make sure to read the chapter "Display" and the document "Adjustment" www.eppendorf.com/manuals.

The following adjustments can be selected:

- *Factory settings*
Resets the adjustment to the factory setting. The factory settings cannot be changed.
- Liquid type: *Ethanol 75%*
The factory setting is changed by a factor in order to allow 75% ethanol to be dispensed with higher accuracy. The internally used factor takes into account the density and the following work technique in the **Pip** mode:
 1. Wet the tip with liquid three times at room temperature. Hold the pipette vertically during this time. Avoid outer wetting during dispensing.
 2. Use speed level 5 for aspiration and dispensing.
 3. Dispense liquid against the tube wall of the destination tube.
 4. Trigger a blow-out (Blow) approx. 2 seconds after dispensing. Then eject the pipette tip.
- Liquid type: *Glycerol 50%*
The factory setting is changed by a factor in order to allow 50% glycerol to be dispensed with higher accuracy. The internally used factor takes into account the density of the 50% glycerol and the same work technique as described previously for *Ethanol 75%* in the **Pip** mode.
- *epTIPS long*
In addition to the "standard tips", a second longer tip is available for most pipettes. When *epTIPS long* is selected, the tip geometry of this longer tip is taken into account in the internal volume calculation. This reduces the systematic error of dispensing when using these tips.

Operation

Eppendorf Xplorer®/Eppendorf Xplorer® plus
English (EN)

Xplorer Nominal volume Volume range	Color code Xplorer rocker	The adjustment for epTIPS long is valid for		
		Color code epT.I.P.S.	Type epT.I.P.S.	Length epT.I.P.S.
10 µL 0.5 – 10 µL	medium gray	light gray	20 µL Long	46 mm
100 µL 5 – 100 µL	yellow	orange	300 µL	55 mm
200 µL 10 – 200 µL	yellow	orange	300 µL	55 mm
1000 µL 50 – 1000 µL	blue	dark green	1250 µL Long	103 mm
1200 µL 50 – 1200 µL	green	dark green	1250 µL Long	103 mm
5 mL 0.2 – 5 mL	violet	violet	5 mL Long	175 mm
10 mL 0.5 – 10 mL	turquoise	turquoise	10 mL Long	243 mm

The epT.I.P.S. specified here are also available as ep Dualfilter T.I.P.S.

- *Altitude*

The aspiration volume of a piston-stroke pipette is reduced at increased altitudes, which entail a fall in air pressure. The average air pressure at the corresponding height is used to correct the stroke. The altitude can be selected in 250 m (820 ft) increments. The maximum selectable height is 5000 m.

The pipette is set to an altitude of 0 m upon delivery. This is the factory setting.



The liquid type (*Ethanol 75%* or *Glycerol 50%*), *epTIPS long* and *Altitude* options can be combined.

For the following adjustments, you must know the exact density of the solution to be dispensed. The recording of the weighing results requires the use of a fine balance with a high resolution. Dispensing volumes below 10 µL require a balance with a resolution of 0.001 mg. An existing 1-3 point adjustment can be changed.

- *1-point adjust.*


After you input the density, the selected volume and the corresponding weighing result, the pipette will determine a correction factor. The factor is only correct for the selected volume and the selected work technique. However, the factor is used for the entire volume range of the pipette. You must carry out a gravimetric test to check the validity of the factor.

- *2-point adjust.*

After you input the density, two different volumes and the corresponding weighing result, the pipette will determine a correction factor. The factor is only correct for the selected volume range and the selected work technique. However, the factor is used for the entire volume range of the pipette, i.e., below and above the two measuring points as well. You must carry out a gravimetric test to check the validity of the factor.


- *3-point adjust.*

After you input the density, three different volumes and the corresponding weighing results, the pipette will determine two correction factors. The factors are correct from measuring point to measuring point in the selected volume regions and for the selected work technique. The respective factor is, however, also used below and above the first or third measuring point. You must carry out a gravimetric test to check the validity of the factors.

- 
 If an adjustment other than factory settings is applied, a gravimetric test of the pipette must be carried out first. This is the only way to ensure that the selected adjustment meets requirements regarding errors.

5.18.9.1 Activating the *Pswrd. protection (Xplorer plus)*

You can protect the adjustment using a four-digit, numerical password. The password for the *Edit* mode and the *Adjustment* option can vary. The password can be changed or deactivated after it has been entered. If you lose your password, please contact your local Eppendorf distribution partner or reset the pipette to the factory settings.

- 
 The adjustment can no longer be changed if the password has been lost.

1. Press the rocker upward to activate the password protection.
ON appears in the display.
 2. Press the *Select* softkey.
 3. Use the rocker to select the digit.
 4. Press the *Next* softkey to switch to the next field.
 5. Enter data in all of the fields.
 6. Press the *Save* softkey to save the password.
 7. Reenter the password after completing the saving procedure.
 8. Press the *Enter* softkey.
- Password protection is active.

5.18.10 *Language* – setting the language

- ▶ Mark a language in the selection list using the rocker.
The selected language is only activated after the completion of the language selection.



When selecting a language, the softkeys and the language selection list are always in English. This makes it easier to return to the desired language if you select an unknown language by mistake.

5.18.11 *Personalization* – personalizing the pipette

You can use the rocker to select letters and numbers to personalize the pipette. The selected personalization will be displayed after the pipette has been activated from sleep mode or after the reset. When the pipette is delivered, it is personalized as *My Xplorer*.

5.18.12 *Service* – calling up service functions

The options listed here are not needed during normal routine use.

A selection list offers the following service options:

- *Software version*: Displays the current software version.
- *Parameter ver.*: Displays the applicable data record for this pipette. The data record is different for the various volumes.
- *Initial reset*: After a security query, the pipette will be reset to factory settings and all entries will be reset to the "default values". This type of reset may be useful when transferring the pipette to another workstation.
- *Check procedure*: For service personnel only.
- *Software update*: For service personnel only.

5.18.13 *Activating the Service interval (Xplorer plus)*

If the *Service interval* option is activated, the pipette will remind you about the required maintenance or repeating the gravimetric test. You can set the reminder for a specific time or after a specific number of cycles.

The display shows the following options after *Time interval* or *Cycles interval* has been selected:

- *Last service*
- *Next service*
- *Set interval*
- *Reset*

For the *Set interval* parameter, set the required interval. If you do not want to use the *Service interval* option, set the value of the parameter to 0. Triggering the reset function resets the interval. If the pipette should start counting at a specific initial value, enter the value under *Set interval* and then select *Reset*. You can view the last time a reset was triggered for the executed maintenance under *Last service*. You can view when the next maintenance needs to be executed under *Next service*. If the interval has elapsed up to 90%, the pipette shows the next required maintenance in the display. Monitoring of the interval time and the interval cycles function independently of each other. If you activate the interval time and interval cycles, you will receive a maintenance reminder for both settings. A reset may be required after the maintenance and the gravimetric test.

5.18.14 Setting the *Date* and *Time* (Xplorer plus)

Prerequisites

- The pipette is switched on.
- The **Opt** operating mode has been selected.
- The pipette is switched on.
- ▶ Select *Date* or *Time* using the rocker.
- ▶ Press the *Select* softkey.
- ▶ Change the value using the rocker.
- ▶ Press the *Next* softkey to change the field.
- ▶ Press the *End* softkey to end the entry.
- ▶ Change the second parameter in the same way.
- ▶ Press the *End* softkey to end the entry.

5.19 Resetting the pipette to the factory setting

All settings (language, selected parameters, options, etc.) of the pipette are reset to their initial state. All the saved program and adjustment settings are deleted.

The *Initial reset* function also overwrites existing password protection.

5.19.1 Performing *Initial reset* – Opt selection dial setting

Prerequisites

- The pipette is switched on.
 - The *Option* operating mode has been selected.
1. Select *Service* from the list.
 2. Select *Initial reset* from the list.
 3. Confirm the confirmation prompt.
The pipette is reset to its initial state.

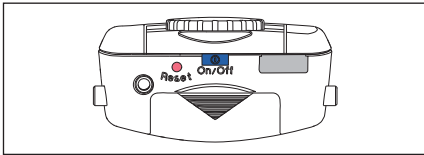
Troubleshooting

Eppendorf Xplorer®/Eppendorf Xplorer® plus
English (EN)

6 Troubleshooting

6.1 Reset

The pipette will be reset to the initial state during the reset. The settings you have saved are retained.



- ▶ Press the **Reset** key using a pipette tip or another pointed object.

The personalization and software version will be shown in the display during the reset.




You will be prompted to press the rocker down in the display. Make sure that any liquid in the pipette tip is dispensed correctly. Then, you need to confirm the *Date and Time*.

6.2 Error search

6.2.1 Rechargeable battery

Problem	Cause	Solution
	<ul style="list-style-type: none"> • The rechargeable battery is heavily discharged. 	<ol style="list-style-type: none"> 1. Confirm the message with the <i>OK</i> softkey. 2. Connect the mains/power supply device. 3. Complete the dispensing procedure. 4. Charge the rechargeable battery for 3 hours.
	<ul style="list-style-type: none"> • The rechargeable battery is almost completely discharged. The remaining rechargeable battery capacity is only sufficient for displaying the information on the display. 	<ul style="list-style-type: none"> ▶ Charge the rechargeable battery for at least 15 minutes. ▶ Charge the rechargeable battery for 3 hours.
Very short charging cycles	<ul style="list-style-type: none"> • The rechargeable battery capacity is reduced significantly. • The rechargeable battery is more than 3 years old. 	<ul style="list-style-type: none"> ▶ Replace the rechargeable battery.
Rechargeable battery housing is warped.	<ul style="list-style-type: none"> • The rechargeable battery is more than 3 years old. 	<ul style="list-style-type: none"> ▶ Replace the rechargeable battery.

6.2.2 Display

Problem	Cause	Solution
The display is dark.	• The pipette is switched off.	▶ Switch on the pipette.
	• The rechargeable battery is not connected.	▶ Connect the rechargeable battery.
	• The rechargeable battery is discharged.	▶ Charge the rechargeable battery. Note: If the rechargeable battery is almost completely discharged, the display will only switch on after a short charging time.
	• The rechargeable battery is defective.	▶ Replace the rechargeable battery.
Display shows the  symbol.	• The pipette has been adjusted for a different liquid.	▶ Check whether the adjustment selected in the options is correct and change it if necessary.

6.2.3 Liquid

Problem	Cause	Solution
Liquid is dripping from the tip and/or the dispensed volume is incorrect.	<ul style="list-style-type: none"> The pipette tip is loose or does not fit correctly. 	<ul style="list-style-type: none"> Attach the tip firmly. Use epT.I.P.S.
	<ul style="list-style-type: none"> Liquid with high vapor pressure and/or different density. 	<ul style="list-style-type: none"> Wet the tip multiple times. Adjust the pipette for the liquid used.
	<ul style="list-style-type: none"> Pipetting was too quick. 	<ul style="list-style-type: none"> Set a lower speed.
	<ul style="list-style-type: none"> The tip was withdrawn from the liquid too early or too quickly. 	<ul style="list-style-type: none"> Withdraw the tip from the liquid slowly and with a time delay (of about 3 seconds for large volumes) after aspiration.
	<ul style="list-style-type: none"> Liquid dispensed without blow-out (Blow) in Pip mode. 	<ul style="list-style-type: none"> Trigger blow-out (Blow) after dispensing has been completed during standard pipetting applications.
	<ul style="list-style-type: none"> The piston is contaminated. 	<ul style="list-style-type: none"> Clean and lightly lubricate the piston.
	<ul style="list-style-type: none"> The piston is damaged. 	<ul style="list-style-type: none"> Replace the piston.
	<ul style="list-style-type: none"> The tip cone is damaged. 	<ul style="list-style-type: none"> Replace the lower part or channel.
Liquid flows unevenly into or out of the tip.	<ul style="list-style-type: none"> The O-rings of the tip cones are damaged. 	<ul style="list-style-type: none"> Replace the O-rings (only 100 µL, 300 µL, 1200 µL multi-channel).
	<ul style="list-style-type: none"> The piston is contaminated. The tip is damaged The seal is dirty. The pipette is blocked. 	<ul style="list-style-type: none"> Clean and lightly lubricate the piston. Use a new tip. Clean the lower part. Replace the protection filter (for 2.5 mL, 5 mL and 10 mL).

Problem	Cause	Solution
The following message appears briefly before the aspiration: <i>Selected volume not possible with stored adjustment!</i>	<ul style="list-style-type: none"> A factor that was determined during adjustment leads to a very high stroke increase. This high stroke increase limits the dispensing volume. 	<ul style="list-style-type: none"> Confirm the error message with the <i>OK</i> softkey. The situation can only be remedied by changing the adjustment. Make sure that you are authorized to carry out the adjustment.

6.2.4 Pipette

Problem	Cause	Solution
No spring-loaded action of the tip cone when taking up pipette tips.	<ul style="list-style-type: none"> The spring-loaded action is blocked. 	<ul style="list-style-type: none"> Single-channel pipette: Remove the locking ring. Multi-channel pipette: Remove the locking clip.
	<ul style="list-style-type: none"> The use of a pipette larger than 1000 µL. 	<ul style="list-style-type: none"> No solution available. The tip cones of pipette models larger than 1000 µL do not respond with spring-loaded action.
The following message appears briefly for the selected volume: <i>Volume limit XXXX µL/mL</i>	<ul style="list-style-type: none"> The <i>Volume limit</i> option was used to limit the volume to the displayed value. 	<ol style="list-style-type: none"> Make sure that you are authorized to change the <i>Volume limit</i> option. Move the selection dial to Opt. Select the <i>Volume limit</i> option.

6.2.5 Software

Problem	Cause	Solution
A software error is shown on the display.	–	▶ Press the reset key.
The password is incorrect.	<ul style="list-style-type: none"> • The passwords for the <i>Edit</i> mode and the <i>Adjustment</i> option have been mixed up. • Password forgotten. 	<ul style="list-style-type: none"> ▶ Enter the correct password. ▶ <i>Initial reset</i>, set the CAN bus address and termination of the thermal cyclers as listed below. ▶ Contact local Eppendorf distribution partner and request <i>Master key</i>.

To prevent dispensing errors, regularly check the precision and accuracy of the pipette. If the pipette is used at an extremely high altitude, it must be adjusted to the respective atmospheric pressure.



The gravimetric test and the conversion of the measured values for the volume are described in the document “*Standard operating procedure for manual dispensing systems*”. The document is available on the webpage www.eppendorf.com/manuals.

7 Maintenance

- All single and multi-channel lower parts are wear parts. Clean them after contamination, use of aggressive chemicals and/or heavy stress. If the lower parts are worn or damaged, replace these parts.
- Faulty dispensing results are sometimes due to lack of maintenance.

7.1 Cleaning

7.1.1 Cleaning and disinfecting the housing



NOTICE! Damage to device from unsuitable cleaning agents or sharp or pointed objects.

Unsuitable cleaning agents may damage the device.

- ▶ Do not use corrosive cleaning agents, strong solvents, or abrasive polishes.
- ▶ Check the compatibility with the materials used.
- ▶ Please note the information on chemical resistance.
- ▶ Do **not** clean the device with acetone or organic solvents with a similar effect.
- ▶ Do **not** use sharp or pointed objects to clean the device.



NOTICE! Damage to device due to penetration of liquid.

- ▶ Only immerse the pipette tip in the liquid.
 - ▶ Do not put the pipette down when the pipette tip is filled.
 - ▶ The pipette itself may not come into contact with the liquid.
-



Observe the chemical resistance of the materials.

1. Moisten a cloth with a cleaning agent, a decontamination agent or isopropyl (70 %).
2. Remove any contamination on the outside.
3. Moisten the cloth with water.
4. Wipe down the housing and remove residual cleaning agent.

7.2 Cleaning



NOTICE! Damage to device from unsuitable cleaning agents or sharp or pointed objects.

Unsuitable cleaning agents may damage the device.

- ▶ Do not use corrosive cleaning agents, strong solvents, or abrasive polishes.
- ▶ Check the compatibility with the materials used.
- ▶ Please note the information on chemical resistance.
- ▶ Do **not** clean the device with acetone or organic solvents with a similar effect.
- ▶ Do **not** use sharp or pointed objects to clean the device.



NOTICE! Damage to device due to penetration of liquid.

- ▶ Only immerse the pipette tip in the liquid.
 - ▶ Do not put the pipette down when the pipette tip is filled.
 - ▶ The pipette itself may not come into contact with the liquid.
-



7.2.1 Cleaning and disinfecting the pipette

All single and multi-channel lower parts are wear parts. Clean them after contamination, use of aggressive chemicals and/or heavy stress. If the lower parts are worn or damaged, replace these parts.

1. Moisten a cloth with a cleaning agent and a decontamination agent.
2. Remove external contamination.
3. Moisten a new cloth with water.
4. Wipe down the housing.

7.2.2 Cleaning and disinfecting the lower part

Prerequisites

- Heavy contamination caused by ingress of liquid must be removed.
 - Lower part has been removed and disassembled.
1. Remove piston grease.
 2. Rinse the lower part with cleaning agent or decontamination agent or let it soak.
 -  Observe the contact time recommended by the manufacturer.
 3. Thoroughly rinse the lower part with demineralized water.
 4. Let it dry.
 5. Lubricate the piston or cylinder.
 -  See instructions for use "Grease for pipettes".
 6. Assemble the lower part.

7.2.3 Sterilizing the pipette with UV light

The pipette can be sterilized with UV light at 254 nm.

7.3 Sterilizing or disinfecting the pipette



NOTICE! Damage to device due to incorrect handling.

- ▶ Only autoclave the lower part of the Xplorer pipette.
 - ▶ Do not use any additional disinfectants, decontamination agents or sodium hypochlorite when autoclaving the lower part.
 - ▶ When autoclaving the lower part, make sure that the temperature does not exceed 121 °C.
 - ▶ Before using disinfectants or decontamination agents, check their suitability and the manufacturer information regarding chemical resistance. Also take into account the materials of the pipette.
-

7.3.1 Autoclaving

All lower parts are steam autoclavable.

7.3.1.1 Before autoclaving

1. Remove any contamination from the inside and outside of the lower part.
2. If you remove existing grease, slightly re-lubricate the piston seal using only the grease specified in the ordering information (see the instructions for use on our webpage www.eppendorf.com/manuals).

7.3.1.2 Execution

Follow the operating manual of the autoclave manufacturer.

1. Autoclave at 121 °C, 20 minutes, 1 bar pressure.
2. Put the lower part into the autoclave in such a way to ensure that the temperature at the lower part does not exceed 121 °C.
3. For 2.5 mL, 5 mL and 10 mL pipettes: Remove the old protection filter. Include the filter sleeve and protection filter (only autoclave the protection filter once).
4. You can put the lower part into the autoclave as a whole unit or as individual parts.
5. Make sure that no parts of disassembled lower parts are confused during subsequent assembly (recommendation: use a plastic beaker for each lower part).

7.3.1.3 After autoclaving

1. Cool the lower part down to room temperature and leave to dry. The piston does not need to be greased following autoclaving.
2. For 2.5 mL, 5 mL and 10 mL pipettes: Insert the protection filter in the filter sleeve. Insert the filter sleeve in the tip cone.
3. Carry out a gravimetric test to check that the Xplorer pipette is functioning.

7.3.2 Disinfection

1. Carefully wipe off the outer surfaces with disinfectant, DNA/RNA decontamination agents or 70% isopropanol.
2. You can wipe the outside of the tip cone and the ejector sleeve using a sodium hypochlorite solution of 4 %.
3. After the exposure time of the sodium hypochlorite solution has elapsed, thoroughly remove it using demineralized water.

7.4 Replacing O-rings – multi-channel lower part

Replace worn or damaged O-rings on multi-channel lower parts.

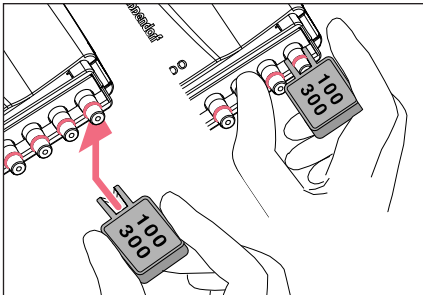
Applies to multi-channel lower parts:

- 100 µL
- 300 µL
- 1200 µL

7.4.1 Removing the O-ring

Prerequisites

- O-ring tool (included in the delivery package)



1. Push the opening of the O-ring tool against the tip cone.
2. Supporting the O-ring tool with your thumb, push it against the tip cone. The O-ring is cut at one location.
3. Remove the O-ring tool and O-ring.

7.4.2 Mounting a new O-ring – 100 µL and 300 µL

Prerequisites

- Mounting aid (shortened pipette tip)
1. Fit the installation aid on the tip cone.
 2. Push the O-ring over the installation aid and onto the tip cone.
The O-ring must be positioned in the groove in the tip cone.
 3. Remove the installation aid
 4. Attach the pipette tip and check it is seated correctly.
The pipette tip must be firmly seated on the tip cone.

7.4.3 Mounting a new O-ring – 1200 µL

1. Push the O-ring onto the tip cone.
The O-ring must be positioned in the groove in the tip cone.
2. Attach the pipette tip and check it is seated correctly.
The pipette tip must be firmly seated on the tip cone.

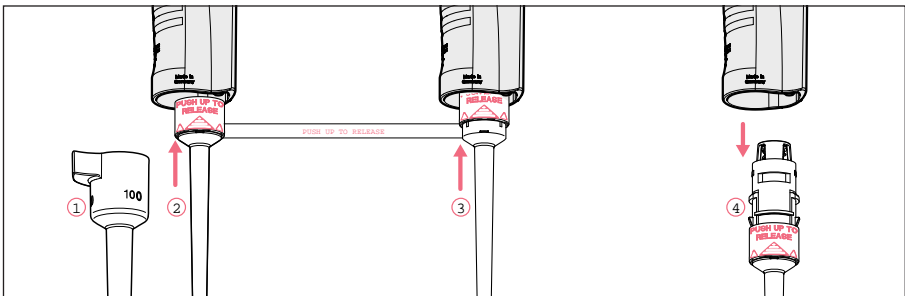
7.5 Xplorer disassembly and assembly



For assembly, the serial number of the upper part and lower part must be identical.

7.5.1 Single-channel $\leq 1000 \mu\text{L}$

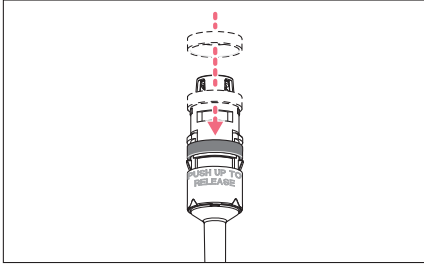
7.5.1.1 Removing the lower part



1. Keep the ejector pressed and remove the ejector sleeve ①.
2. ② and ③: On the lower part, slide the ring marked "PUSH UP TO RELEASE" up by about 5 mm until the lower part comes off.
3. ④: Remove the lower part from the upper part.

7.5.1.2 Deactivating the spring-loading action of single-channel pipettes

You can deactivate the springs of the tip cones if you want to use pipette tips which require a higher attachment force. The spring-loading action of the tip cone can be deactivated by installing the locking ring. The locking ring is included in the delivery package.



1. Push the black locking ring onto the lower part from the top by slightly squeezing the clamps on the lower part.
2. Insert the lower part into the upper part until it audibly engages.
3. Keep the ejector pressed. The ejector rod protrudes from the upper part.
4. Fit the ejector sleeve onto the ejector rod. If correctly fitted, it will engage slightly.



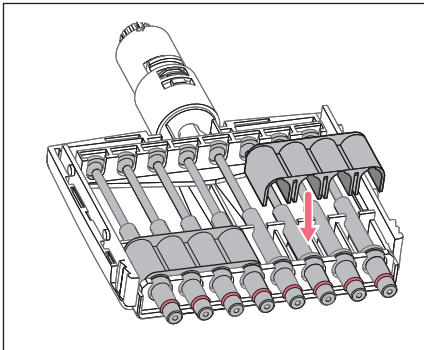
Remove the locking ring to reactivate the spring-loading action.

7.5.1.3 Deactivating the spring-loading action of multi-channel pipettes

The spring-loading action of the tip cones can be deactivated in the 10 μL , 100 μL and 300 μL multi-channel lower parts by installing 2 – 3 locking clips. The locking clips are part of the delivery package.

Prerequisites

- The multi-channel lower part is open and has been removed from the upper part.
- The channels have been removed.



1. Remove the spring from the channels.
2. Insert the channels without springs.
3. Firmly press the locking clips onto the channels.
4. Assemble the pipette.

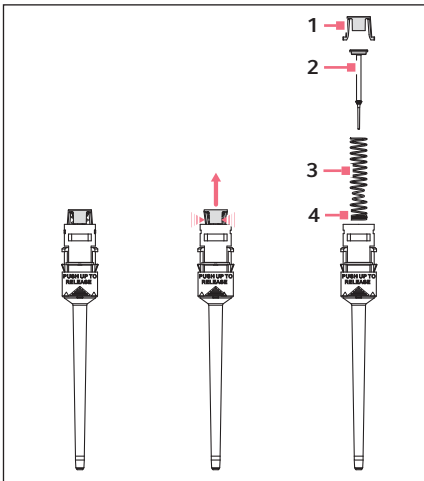
7.5.1.4 Opening and assembling the lower part (≤ 1000 µL)

Prerequisites

The piston is in the basic position.

- i** To avoid confusing the parts, only disassemble and assemble one pipette at a time.

Opening the lower part



1. Slightly push the stop pins together on the piston mount (1).
2. Remove the piston mount.
3. Remove the piston (2) and the piston spring (3). The piston is under spring tension.

- i** The appearance of pistons and piston springs varies according to the individual volume versions.

Assembling the lower part

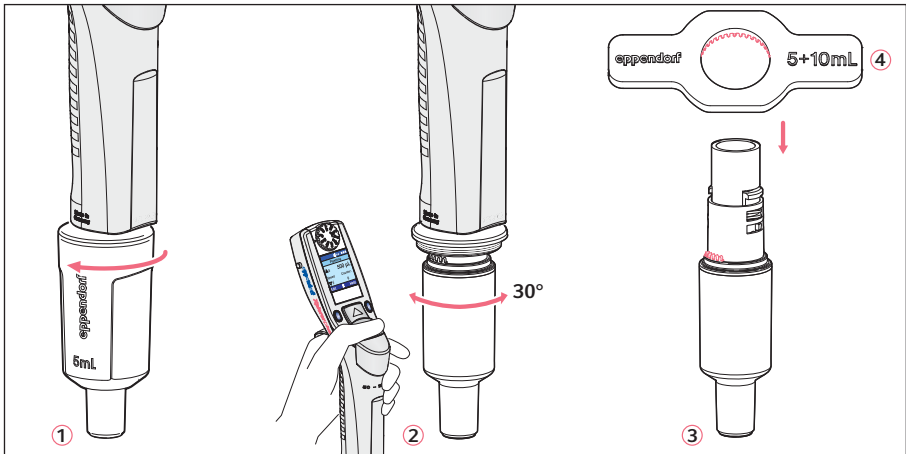
1. Carefully guide the piston and the piston spring into the cylinder. Make sure that the piston is guided correctly in the piston spring and the cylinder. There must not be any perceptible resistance. **Stop pushing as soon as any resistance is felt** This may indicate that the piston is not positioned correctly in the cylinder. There is a risk of bending the piston if too much force is applied. Carefully pull out the piston and repeat the process correctly. In the case of piston springs with double windings (4), these windings must point downwards.
2. Keep the piston and the piston spring pressed.
3. Keep the stop pins on the piston mount pressed with the other hand.
4. Mount the piston mount so that the two stop pins engage in their retainers.
5. Gently press a pipette tip against the inserted piston. The piston must move down in the cylinder without any noticeable resistance.

Installing the lower part and ejector sleeve

1. Insert the lower part into the upper part until it audibly engages.
2. Set the maximum volume and move the rocker up and down several times. There should not be any unusual running noises.
3. Keep the ejector pressed. The ejector rod protrudes from the upper part.
4. Fit the ejector sleeve onto the ejector rod. If correctly fitted, it will engage slightly.
5. Carry out a gravimetric test of the systematic and random errors.
This test ensures that no parts were confused during assembly and that the pipette has been assembled correctly.

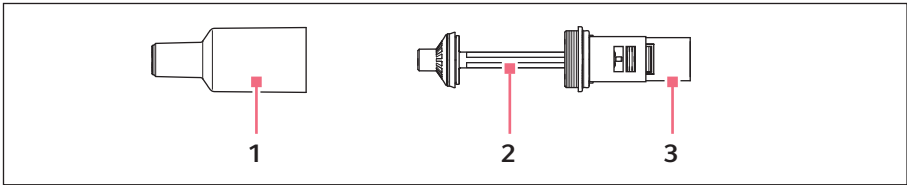
7.5.2 Single-channel lower parts ≥ 2.5 mL

The piston must be in its basic position before separating the lower and upper part. Press the rocker down to move the piston to its basic position.



1. ①: Unscrew the ejector sleeve.
2. ②: Keep the ejector pressed and turn the lower part approximately 30° to the left or right. Pull the lower part down to cancel the magnetic coupling of the lower part. The lower part is separated from the upper part.
3. ③: Open the lower part: fit the pipette wrench ④ (included in the delivery package) onto the lower part. Hold the cylinder and unscrew it from the lower part. The cylinder with the tip cone is separated from the upper part of the lower part. The upper part of the lower part and the piston cannot be disassembled any further. See the next figure.

The lower part consists of the following:



1 Cylinder and tip cone

3 Upper part of the lower part

2 Piston (with seal)

Piston with magnet

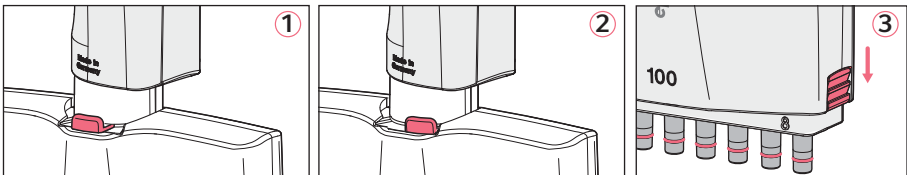
Assembly is performed in reverse order. Make sure that the magnet on the piston in the lower part is coupled with the magnet on the spindle in the upper part. After the assembly:

- ▶ Carry out a gravimetric test of the systematic and random errors.
This test ensures that no parts were confused during assembly and that the pipette has been assembled correctly.

i For replacing an ejector sleeve, the 5 mL and 10 mL sizes are delivered with an ejector sleeve and ejector carrier. The lower part must be removed in order to install a new ejector carrier.

7.5.3 Multi-channel

7.5.3.1 Loosening and opening the 10 µL, 100 µL and 300 µL multi-channel lower parts

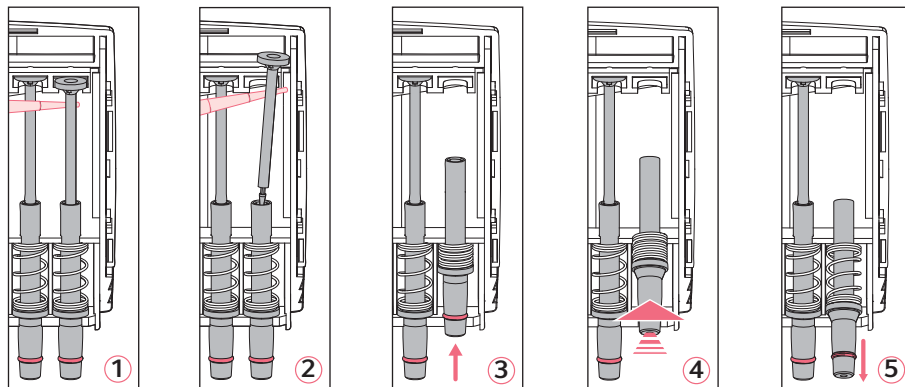


1. ① and ②: Slide the lever on the lower part to the left or right. Pull the lower part down to cancel the magnetic coupling of the lower part to the upper part.
This separates the lower part from the upper part so that it can be removed.
2. Put down the lower part with the lever facing downward.
3. ③: Slide the two latches (right and left at the side) down using a coin.
The lower part is still lying on the table with the lever facing downward.
4. Remove the cover plate facing upward and the integrated ejector rail.

Do **not** remove the ejector rail from the cover panel. The spring for the ejector rail may accidentally come off and get lost during this step.

7.5.3.2 Removing and installing channels

Channels may only be removed and installed if the multi-channel lower part is separated from the upper part! The channels in the lower parts consist of a piston, cylinder and spring. The channels for 100 μL and 300 μL are equipped with an O-ring at the tip cone.



1. ① and ②: Position a pipette tip under the piston and carefully remove the piston from the upper rail.
2. Carefully pull the piston out in an upward direction. **Do not bend the piston.**
3. Hold the tip cone at the lower end and push it upwards slightly ③ to compress the spring.
4. ④: Lightly lift the tip cone and release it from the lower rail.
5. ⑤: Relax the spring by letting the tip cone slide back above the lower rail.
6. Remove the tip cone, along with the cylinder and spring, from the upper rail. Before installation, slide the piston into the cylinder. Install the channels in reverse order.

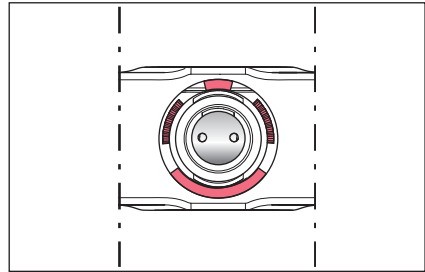
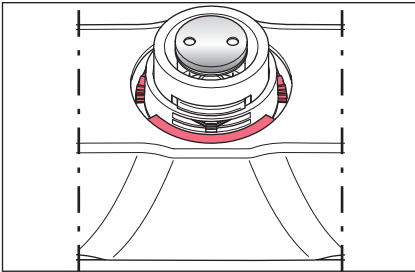
7.5.3.3 Assembling the 10 – 300 μL multi-channel lower part

1. Fit the cover plate with the integrated ejector.
2. Push the latches upward.
3. For mounting, push the lower part into the upper part until it audibly engages. Make sure that the magnet on the piston actuator in the lower part is coupled with the magnet on the spindle in the upper part.
4. Carry out a gravimetric test of the systematic and random errors. This test ensures that no parts were confused during assembly and that the pipette has been assembled correctly.

7.5.3.4 Loosening and opening the 1200 µL multi-channel lower part

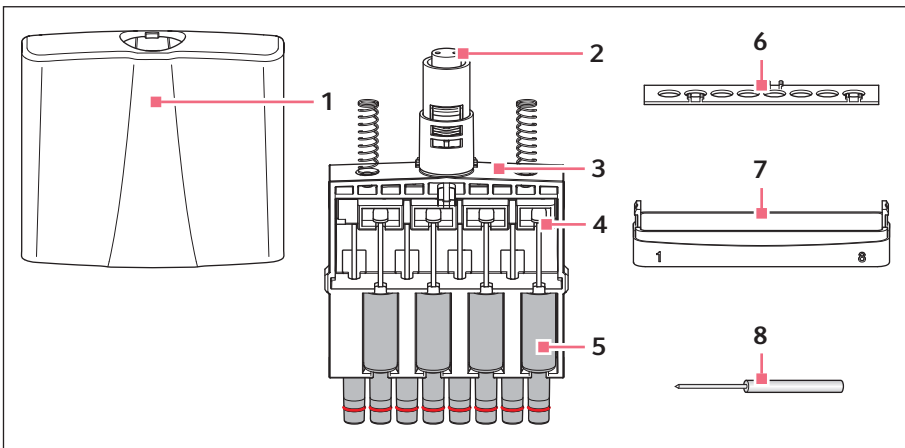
The method of loosening the 1200 µL lower part matches that of loosening the ≥ 2.5 mL lower parts.

1. Press the rocker down.
The piston returns to the basic position.
The lower part can be detached.
2. With the ejector pressed down, turn the lower part approximately 30° and pull down to cancel the magnetic coupling. This releases the lower part from the upper part.



3. View the detached lower part from above. For this, slide the housing case down. Note the exact position of the red marked parts. **The red marked stops on the housing case and the red marked teeth on the inner part are adjacent.** If the stops and teeth are on top of each other after assembly, the housing case has been attached incorrectly.

7.5.3.5 Removing and installing 1200 µL channels



- | | |
|--------------------------|-------------------------|
| 1 Housing case | 5 Channel |
| 2 Piston actuator | 6 Fixing strip |
| 3 Inner part | 7 Bottom panel |
| 4 Piston | 8 Unlocking tool |

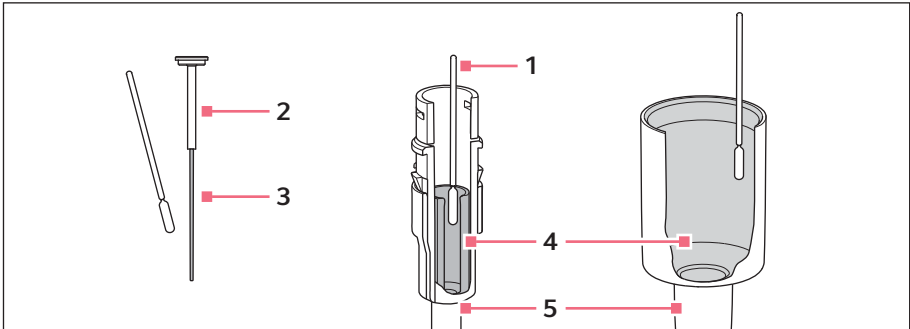
Only disassemble the channels when the upper part is detached from the lower part.

1. Press the unlocking tool as far as it will go into the base plate.
The base plate can now be detached by pulling gently at the side - at the side with the unlocking tool inserted. This loosens the base plate on the other side. Remove the base plate.
2. Take the inner part out of the housing case.
3. Loosen the fixing strip from the inner part. To do this, push the fixing strip away from the inner part in the area near the three fixing strip catches on the inner part.
4. Have a close look at the channel arrangement in the inner part. Four channels are accessible from each side. The tip cone of the channels is eccentric to the cylinder. The channels on the opposite side are therefore positioned "mirror-inverted". Ensure that the channels are inserted so that they are aligned in the center again during subsequent assembly.
5. Completely press down the guiding rail for the piston rods. Press the piston rod lightly out of the guiding rail and remove the channels.
6. Before installation, slide the piston into the cylinder. Install the channels in reverse order in accordance with the previously mentioned instructions. After installing the channels, carefully push the guiding rail with the piston rods upwards to ensure that the magnetic coupling of the lower and upper part can be safely reestablished.
7. Insert the reassembled lower part into the upper part. The lower part automatically snaps into the upper part on insertion. Make sure that the magnet on the piston actuator in the lower part is coupled with the magnet on the spindle in the upper part.
8. Carry out a gravimetric test of the systematic and random errors.
This test ensures that no parts were confused during assembly and that the pipette has been assembled correctly.

7.6 Lubricating the piston or cylinder

The piston or the cylinder in the lower part of the pipette must be relubricated after cleaning or after decontamination.

- i** The special grease can be ordered as an accessory. The ordering information can be found on our webpage www.eppendorf.com/manuals



1 Cotton swab

2 Piston
≤ 20 µL

3 Running surface

4 Cylinder

5 Lower part
> 20 µL

7.6.1 Lubricating the piston

Prerequisites

- For volumes ≤ 20 µL.
- Lower part is disassembled.

1. Place a small amount of grease on the cotton swab.
2. Apply a thin film of grease to the running surface of the piston.
The lower part can now be reassembled.

7.6.2 Lubricating the cylinder

Prerequisites

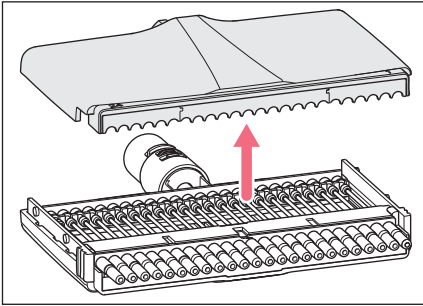
- For volumes > 20 µL.
- Lower part is disassembled.

1. Place a small amount of grease on the cotton swab.
2. Apply a thin film of grease to the inner wall of the piston.
The lower part can now be reassembled.

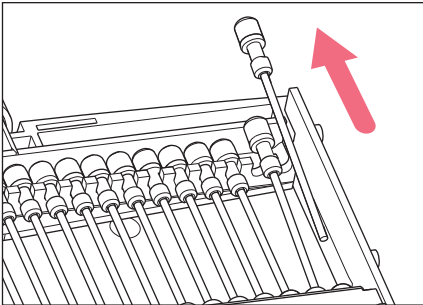
7.7 Disassembling the multi-channel lower part – 4.5 mm cone spacing**7.7.1 Opening the multi-channel lower part**

Prerequisites

- The lower part is detached from the pipette upper part.



1. Slide both latches on the sides of the lower part down.
2. Remove the housing lid.

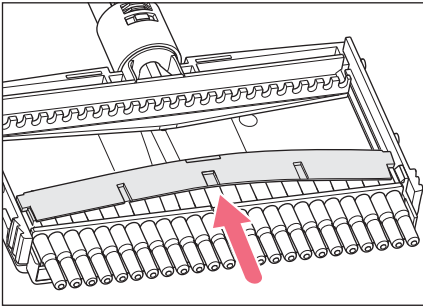
7.7.2 Removing pistons

1. Lift the piston out of the piston mount.
2. Pull the piston out of the cylinder.

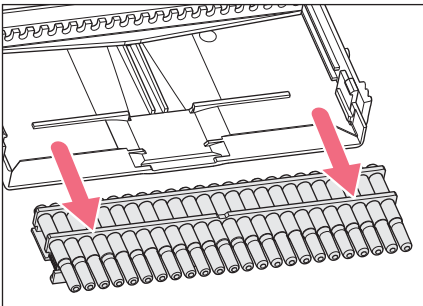
7.7.3 Removing the cylinder block

Prerequisites

- All pistons are removed.



1. Lift the clamping bar at its center and remove it.



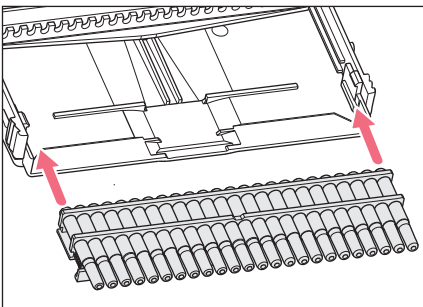
2. Slide the cylinder block straight down and out of the housing case. The lower part can be cleaned.

7.8 Assembling the multi-channel lower part – 4.5 mm cone spacing

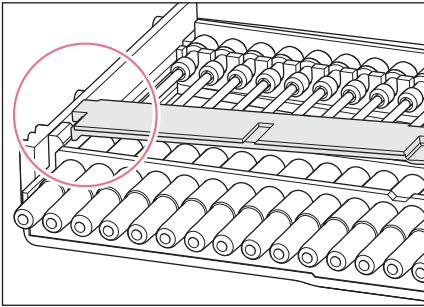
7.8.1 Inserting the cylinder block

Prerequisites

- All pistons are removed.

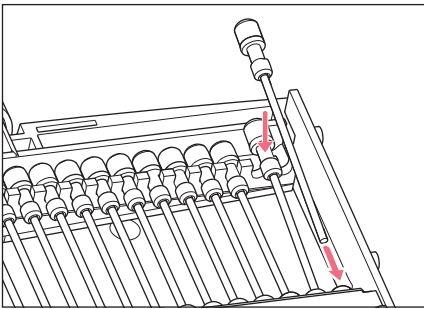


1. Insert the cylinder block straight into the housing case.
2. Slide the cylinder block straight into the housing case. The cylinder block needs to be flush with the edge of the housing case.



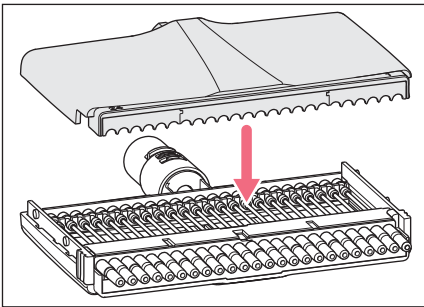
3. Insert the clamping bar on one side into the housing case under the lug.
4. Bend the clamping bar and slide it under the lug on the other side.
The cylinder block is now fixed.

7.8.2 Insert the pistons



1. Slide the piston into the cylinder.
2. Insert the end of the piston into the piston mount.

7.8.3 Closing the multi-channel lower part



1. Attach the housing lid.
2. Slide both latches on the sides of the lower part up.

7.9 Maintenance

We recommend that you have all maintenance and servicing carried out by Eppendorf AG or Eppendorf service partners. No warranty is provided for any damage due to misuse or if the device has been opened by unauthorized persons.

8 Technical data

8.1 Technical data of the pipette

8.1.1 Ambient conditions

Operating temperature	5 °C – 40 °C
Relative humidity during operation	10 % – 95 %
Storage temperature	-5 °C – 45 °C
Relative humidity during storage	10 % – 95 %

8.1.2 Weight

100 µL single-channel pipette	approx. 135 g
100 µL eight-channel pipette	approx. 213 g

8.1.3 Mains/power supply device

Type	Power supply with power plug adapters
Input voltage	100 V – 240 V, ±10 %
Output voltage	5 V
Current	1 A
Frequency	50/60 Hz

8.1.4 Rechargeable battery

Type	Li-polymer rechargeable battery
Rated capacity	750 mAh
Nominal voltage	3.7 V
Charging time	approx. 3 h
Number of dispensings	approx. 1400*
Weight	approx. 20 g

* in the **Pip** more with a charged rechargeable battery and medium dispensing speeds with a ≤ 1000 µL single-channel pipette in continuous operation

Technical dataEppendorf Xplorer®/Eppendorf Xplorer® plus
English (EN)**8.2 Adjustable sub-steps – single-channel pipettes**

Model	Increment
0.5 µL – 10 µL	0.01 µL
1 µL – 20 µL	0.02 µL
5 µL – 100 µL	0.1 µL
10 µL – 200 µL	0.2 µL
15 µL – 300 µL	0.2 µL
50 µL – 1000 µL	1 µL
0.1 mL – 2.5 mL	2 µL
0.2 mL – 5 mL	5 µL
0.5 mL – 10 mL	10 µL

8.3 Adjustable sub-steps – multi-channel pipettes

Model	Increment
0.5 µL – 10 µL	0.01 µL
5 µL – 100 µL	0.1 µL
15 µL – 300 µL	0.2 µL
50 µL – 1200 µL	1 µL

8.4 Dispensing speeds

The following tables show the minimum duration required for the aspiration of the nominal volume at different speed levels. The actual duration may be longer. It depends, among other things, on the viscosity of the liquid, the ambient pressure, the temperature or the tip opening. The dispensing speeds apply to single-channel pipettes and multi-channel pipettes from software version 2.06.00 onwards.

8.4.1 Single-channel pipettes

Nominal volume		Speed level							
		1	2	3	4	5	6	7	8
10 µL	Aspiration [s]	12.0	8.0	4.0	2.8	2.2	1.6	1.2	0.9
20 µL	Aspiration [s]	12.0	8.0	4.0	2.8	2.2	1.6	1.2	0.9
100 µL	Aspiration [s]	12.0	8.0	4.0	2.8	2.2	1.6	1.2	0.9
200 µL	Aspiration [s]	12.0	8.0	4.0	2.8	2.2	1.6	1.2	0.9
300 µL	Aspiration [s]	12.0	8.0	4.0	2.8	2.2	1.6	1.2	0.9
1000 µL	Aspiration [s]	12.0	8.0	4.0	2.8	2.2	1.6	1.2	0.9
2.5 mL	Aspiration [s]	12.0	8.0	6.0	4.8	3.6	3.2	2.8	2.6
5 mL	Aspiration [s]	12.0	8.0	6.0	4.8	3.6	3.2	2.8	2.6
10 mL	Aspiration [s]	12.0	8.0	6.0	4.8	3.6	3.2	2.8	2.6

8.4.2 Multi-channel pipettes

Nominal volume		Speed level							
		1	2	3	4	5	6	7	8
10 µL	Aspiration [s]	12.0	8.0	4.0	2.8	2.2	1.6	1.2	0.9
100 µL	Aspiration [s]	12.0	8.0	4.0	2.8	2.2	1.6	1.2	0.9
300 µL	Aspiration [s]	12.0	8.0	4.0	2.8	2.2	1.6	1.2	0.9
1200 µL	Aspiration [s]	12.0	8.0	4.0	2.8	2.2	1.6	1.2	1.0

9 Measurement deviations according to Eppendorf AG

9.1 Single-channel pipettes

Model	Test tip epT.I.P.S.	Testing volume	Error of measurement			
			systematic		random	
			± %	± µL	± %	± µL
0.5 µL – 10 µL medium gray	0.1 µL – 20 µL medium gray 40 mm	1 µL	2.5	0.025	1.8	0.018
		5 µL	1.5	0.075	0.8	0.04
		10 µL	1.0	0.1	0.4	0.04
1 µL – 20 µL light gray	0,5 µL – 20 µL L light gray 46 mm	2 µL	5.0	0.1	1.5	0.03
		10 µL	1.2	0.12	0.6	0.06
		20 µL	1.0	0.2	0.3	0.06
5 µL – 100 µL yellow	2 µL – 200 µL yellow 53 mm	10 µL	2.0	0.2	1.0	0.1
		50 µL	1.0	0.5	0.3	0.15
		100 µL	0.8	0.8	0.2	0.2
10 µL – 200 µL yellow	2 µL – 200 µL yellow 53 mm	20 µL	2.5	0.5	0.7	0.14
		100 µL	1.0	1.0	0.3	0.3
		200 µL	0.6	1.2	0.2	0.4
15 µL – 300 µL orange	15 µL – 300 µL orange 55 mm	30 µL	2.5	0.75	0.7	0.21
		150 µL	1.0	1.5	0.3	0.45
		300 µL	0.6	1.8	0.2	0.6
50 µL – 1000 µL blue	50 µL – 1000 µL blue 71 mm	100 µL	3.0	3.0	0.6	0.6
		500 µL	1.0	5.0	0.2	1
		1000 µL	0.6	6.0	0.2	2
0.1 mL – 2.5 mL red	0.25 mL – 2.5 mL red 115 mm	0.25 mL	4.8	12	1.2	3
		1.25 mL	0.8	10	0.2	2.5
		2.5 mL	0.6	15	0.2	5
0.2 mL – 5 mL violet	0.1 mL – 5 mL violet 120 mm	0.5 mL	3.0	15.0	0.6	3
		2.5 mL	1.2	30.0	0.25	6.25
		5 mL	0.6	30.0	0.15	7.5
0.5 mL – 10 mL turquoise	1 mL – 10 mL turquoise 165 mm	1 mL	3.0	30.0	0.60	6.0
		5 mL	0.8	40.0	0.20	10.0
		10 mL	0.6	60.0	0.15	15.0

9.2 Multi-channel pipettes with fixed cone spacing

Model	Test tip epT.I.P.S.	Testing volume	Error of measurement			
			systematic		random	
			± %	± µL	± %	± µL
0.5 µL – 10 µL medium gray 8/12-channel	0.1 µL – 20 µL medium gray 40 mm	1 µL	5.0	0.05	3.0	0.03
		5 µL	3.0	0.15	1.5	0.075
		10 µL	2.0	0.2	0.8	0.08
1 µL – 20 µL pearl white 16/24-channel	1 µL – 20 µL white 42 mm	1 µL	12	0.12	8	0.08
		2 µL	8	0.16	5	0.1
		10 µL	4	0.4	2	0.2
		20 µL	2	0.4	1	0.2
5 µL – 100 µL yellow 8/12-channel	2 µL – 200 µL yellow 53 mm	10 µL	2.0	0.2	2.0	0.2
		50 µL	1.0	0.5	0.8	0.4
		100 µL	0.8	0.8	0.25	0.25
5 µL – 100 µL light yellow 16/24-channel	5 µL – 100 µL light yellow 53 mm	5 µL	6	0.3	4	0.2
		10 µL	3	0.3	2	0.2
		50 µL	1.2	0.6	0.8	0.4
		100 µL	1	1	0.6	0.6
15 µL – 300 µL orange 8/12-channel	15 µL – 300 µL orange 55 mm	30 µL	2.5	0.75	1.0	0.3
		150 µL	1.0	1.5	0.5	0.75
		300 µL	0.6	1.8	0.25	0.75
50 µL – 1200 µL green 8/12-channel	50 µL – 1250 µL green 76 mm	120 µL	6.0	7.2	0.9	1.08
		600 µL	2.7	16.2	0.4	2.4
		1200 µL	1.2	14.4	0.3	3.6

9.3 Test conditions

Test conditions and test evaluation in compliance with ISO 8655, Part 6. Tested using a standardized analytical scale with evaporation protection.



The three largest testing volumes per tip (10 %, 50 %, 100 % of the nominal volume) correspond to the specifications in accordance with ISO 8655, Part 2 or Part 5. The test is to be carried out with these three testing volumes for testing of the systematic and random error in compliance with the standard. The smallest adjustable volume serves to provide additional information.

- Number of determinations per volume: 10
- Water according to ISO 3696
- Inspection at 20 °C – 25 °C
Maximum temperature variation during measurement ± 0.5 °C
- Dispensing onto the tube inner wall
- Operating mode: Standard pipetting (PIP)
- Speed level: 5

10 Transport, storage and disposal

10.1 Decontamination before shipment



CAUTION! Use of a contaminated device may result in personal injury and damage to the device.

- ▶ Clean and decontaminate the device in accordance with the cleaning instructions before shipping or storage.

Hazardous substances are:

- solutions presenting a hazard to health
 - potentially infectious agents
 - organic solvents and reagents
 - radioactive substances
 - proteins presenting a hazard to health
 - DNA
1. Please note the information in the document "Decontamination certificate for product returns".
It is available as PDF document on our website www.eppendorf.com/decontamination.
 2. Enter the serial number of the device in the decontamination certificate.
 3. Enclose the completed decontamination certificate for returned goods with the device.
 4. Send the device to Eppendorf AG or an authorized service center.

10.2 Storage



NOTICE! Damage to device due to incorrect storage.

- ▶ Remove the rechargeable battery if you will not be using the device for an extended period (> 2 months).
- ▶ Select a secure storage location.
- ▶ Do not expose the device to aggressive gases over an extended period.

	Air temperature	Relative humidity	Atmospheric pressure
In transport packaging	-25 °C – 55 °C	10 % – 95 %	70 kPa – 106 kPa
Without transport packaging	-5 °C – 45 °C	10 % – 95 %	70 kPa – 106 kPa

Transport, storage and disposal

Eppendorf Xplorer®/Eppendorf Xplorer® plus
English (EN)

10.3 Disposal

In case the product is to be disposed of, the relevant legal regulations are to be observed.

Information on the disposal of electrical and electronic devices in the European Community:

Within the European Community, the disposal of electrical devices is regulated by national regulations based on EU Directive 2002/96/EC pertaining to waste electrical and electronic equipment (WEEE).

According to these regulations, any devices supplied after August 13, 2005, in the business-to-business sphere, to which this product is assigned, may no longer be disposed of in municipal or domestic waste. They are marked with the following symbol to indicate this:

As disposal regulations may differ from country to country within the EU, please contact your supplier if necessary.

**WARNING! Risk of explosion or fire due to overheated rechargeable batteries and batteries.**

- ▶ Do not heat rechargeable batteries and other batteries to temperatures above 60 °C and do not throw them into a fire.

Disposing of accumulators and batteries

Do not dispose of accumulators and batteries as household waste.
Dispose of accumulators and batteries according to the locally applicable legal regulations.



11 Ordering information

11.1 Single-channel pipettes – Xplorer

Order no. (International)	Order no. (North America)	Description
		Eppendorf Xplorer single-channel
4861 000.015	4861000015	0.5 – 10 µL, medium gray
4861 000.017	4861000017	1 – 20 µL, light grey
4861 000.023	4861000023	5 – 100 µL, yellow
4861 000.027	4861000027	10 – 200 µL, yellow
4861 000.031	4861000031	15 – 300 µL, orange
4861 000.040	4861000040	50 – 1000 µL, blue
4861 000.044	4861000044	0.1 – 2.5 mL, red
4861 000.058	4861000058	0.2 – 5 mL, violet
4861 000.066	4861000066	0.5 – 10 mL, turquoise

11.2 Single-channel pipettes – Xplorer plus

Order no. (International)	Order no. (North America)	Description
		Eppendorf Xplorer plus single-channel
4861 000.708	4861000708	0.5 – 10 µL, medium gray
4861 000.710	4861000710	1 – 20 µL, light grey
4861 000.716	4861000716	5 – 100 µL, yellow
4861 000.720	4861000720	10 – 200 µL, yellow
4861 000.724	4861000724	15 – 300 µL, orange
4861 000.732	4861000732	50 – 1000 µL, blue
4861 000.736	4861000736	0.1 – 2.5 mL, red
4861 000.740	4861000740	0.2 – 5 mL, violet
4861 000.759	4861000759	0.5 – 10 mL, turquoise

11.3 Multi-channel pipettes with fixed cone spacing – Xplorer

Order no. (International)	Order no. (North America)	Description
		Eppendorf Xplorer 8-channel
4861 000.104	4861000104	0.5 – 10 µL, medium gray
4861 000.120	4861000120	5 – 100 µL, yellow
4861 000.147	4861000147	15 – 300 µL, orange

Ordering informationEppendorf Xplorer®/Eppendorf Xplorer® plus
English (EN)

Order no. (International)	Order no. (North America)	Description
4861 000.163	4861000163	50 – 1200 µL, green
4861 000.112	4861000112	Eppendorf Xplorer 12-channel 0.5 – 10 µL, medium gray
4861 000.139	4861000139	5 – 100 µL, yellow
4861 000.155	4861000155	15 – 300 µL, orange
4861 000.171	4861000171	50 – 1200 µL, green

11.4 Multi-channel pipettes with fixed cone spacing – Xplorer plus

Order no. (International)	Order no. (North America)	Description
4861 000.767	4861000767	Eppendorf Xplorer plus 8-channel 0.5 – 10 µL, medium gray
4861 000.783	4861000783	5 – 100 µL, yellow
4861 000.805	4861000805	15 – 300 µL, orange
4861 000.821	4861000821	50 – 1200 µL, green
4861 000.775	4861000775	Eppendorf Xplorer plus 12-channel 0.5 – 10 µL, medium gray
4861 000.791	4861000791	5 – 100 µL, yellow
4861 000.813	4861000813	15 – 300 µL, orange
4861 000.830	4861000830	50 – 1200 µL, green
4861 000.778	4861000778	Eppendorf Xplorer plus 16-channel 1 – 20 µL, cone spacing 4,5 mm
4861 000.792	4861000792	5 – 100 µL, cone spacing 4,5 mm
4861 000.779	4861000779	Eppendorf Xplorer plus 24-channel 1 – 20 µL, cone spacing 4,5 mm
4861 000.793	4861000793	5 – 100 µL, cone spacing 4,5 mm

Additional ordering information (e. g., spare parts and accessories) can be found on our webpage www.eppendorf.com/manuals.

Index

A

Adjustment

- 1-point adjust..... 60
- 2-point adjust..... 61
- 3-point adjust..... 61
- Altitude..... 60
- epTIPS long..... 59
- Ethanol 75%..... 59
- Factory settings..... 59
- Glycerol 50%..... 59

Assembly

- Multi-channel lower part 100 µL..... 78
- Multi-channel lower part 10 µL..... 78
- Multi-channel lower part 1200 µL..... 79
- Multi-channel lower part 300 µL..... 78
- Single-channel lower part 10 mL..... 76
- Single-channel lower part 2.5 mL..... 76
- Single-channel lower part 5 mL..... 76
- Single-channel lower part up to 1000 µL..... 75

Automatic dispensing..... 40

B

Blow

- Blow-out..... 42

Blow-out

- Blow..... 42

C

Charger carousel

- Charging the rechargeable battery .. 30

Charging stand

- Charging the rechargeable battery .. 30

Charging the rechargeable battery 29

Cleaning 69

Color coding 36

Connect the rechargeable battery 28

Connector socket..... 18

D

Diluting47

Disassembly

- Multi-channel lower part 100 µL77
- Multi-channel lower part 10 µL77
- Multi-channel lower part 1200 µL79
- Multi-channel lower part 300 µL77
- Single-channel lower part 10 mL.....76
- Single-channel lower part 2.5 mL.....76
- Single-channel lower part 5 mL.....76
- Single-channel lower part up to 1000 µL73

Disinfection69, 71

Dispensing41

Dispensing speeds87

Display19

Disposal.....92

E

Edit.....52

Edit mode.....32

Errors of measurement

- Multi-channel pipettes89
- Single-channel pipettes88

F

Factory setting

- Initial reset.....63

Features.....16

Fixed volume.....55

Footer21

H

Header.....20

L

Locking clip.....74

Locking ring.....74

M

Main field	21
Mains/power supply device.....	23
Charging the rechargeable battery ..	30
Mains/power supply device assembly	27
Maintenance.....	85
Manual pipetting.....	45
Multiple aspiration (Aspirate).....	46

O

On/Off key.....	18
Operating control	
Ejector	21
On/Off	21
Reset.....	21
Rocker	21
Selection dial.....	21
Softkey.....	21
Operating mode	
Automatic dispensing.....	40
Diluting.....	47
Dispensing.....	41
Manual pipetting	45
Multiple aspiration (Aspirate).....	46
Pipetting	42
Pipetting and mixing	44
Reverse pipetting	50
Sequential dispensing	48
Sequential pipetting	51

Operating modes

Xplorer.....	22
Xplorer plus.....	22

Option

Adjustment.....	58
Brightness	58
Counter	58
Date	63
Date and Time.....	63
Ejector reset	58
General help.....	56
History.....	58
Language	62
Personalization	62

Pswrd. protection	61
Rocker setting	58
Service	62
Service interval.....	62
Sound level	58
Time	63
Volume limit.....	56

P

Parameter

Set	32
Pipette tips	26
Pipetting.....	42
Reverse.....	43
Standard.....	42
Pipetting and mixing.....	44
Power plug adapters	23
Program	52

R

Replacing the channel

Multi-channel lower part 100 µL	78
Multi-channel lower part 10 µL	78
Multi-channel lower part 1200 µL	79
Multi-channel lower part 300 µL	78
Reset key	18, 64
Reverse pipetting	50
Rocker	18

S

Selection dial.....	18
Sequential dispensing.....	48
Sequential pipetting	51
Sets the operating mode	32
Softkey	18
Special.....	46
Spring-loading action.....	74
Status bar	21
Sterilization	71
Storage.....	91

Switching off 32
Switching on..... 32

U

USB port..... 18
Using pipette tips 36

V

Volume limit 37

W

Warranty 26

Index

98 Eppendorf Xplorer®/Eppendorf Xplorer® plus
English (EN)

Eppendorf Certificate

Declaration of Conformity – China RoHS 2 for Eppendorf Xplorer®/Eppendorf Xplorer® plus

Eppendorf AG has made reasonable efforts to ensure that hazardous materials and substances may not be used in the Eppendorf Xplorer® and Eppendorf Xplorer® plus.

In order to determine the concentration of hazardous substances in all homogeneous materials of the subassemblies, a “Product Conformity Assessment” (PCA) procedure was performed. As defined in GB/T 26572 the “Maximum Concentration Value” limits (MCV) apply to these restricted substances:

- Lead (Pb): 0.1%
- Mercury (Hg): 0.1%
- Cadmium (Cd): 0.01%
- Hexavalent Chromium (Cr(+VI)): 0.1%
- Polybrominated Biphenyls (PBB): 0.1%
- Polybrominated Diphenyl Ethers (PBDE): 0.1%

Environmental Friendly Use Period (EFUP)

EFUP defines the period in years during which the hazardous substances contained in electrical and electronic products will not leak or mutate under normal operating conditions. During normal use by the user such electrical and electronic products will not cause serious environmental pollution, serious bodily injury or damage to the user's assets.

The Environmental Friendly Use Period for Eppendorf Xplorer® and Eppendorf Xplorer® plus is 20 years.



Products manufactured by Eppendorf may become components of other devices or can be used with other appliances. With these third-party products and devices in particular, please note the EFUP labeled on these products. Eppendorf will not take responsibility for the EFUP of those products and devices.

Eppendorf Certificate

此表格是按照 SJ/T 11364-2014 中规定所制定的。
This table is created according to SJ/T 11364-2014.

MATERIAL CONTENT DECLARATION (产品中有有害物质名称和含量表)						
有害物质 / Hazardous Substances						
部件名称 Part Name	铅 Pb	汞 Hg	镉 Cd	六价铬 Cr(+VI)	多溴联苯 PBB	多溴二苯醚 PBDE
主轴 / Spindle	X	O	O	O	O	O
充电接触 / Charging Contact	X	O	O	O	O	O
磁铁 / Magnet	X	O	O	O	O	O
马达 / Motor	X	O	O	O	O	O
耦合器 / Coupler	X	O	O	O	O	O

- O: 表示该有毒有害物质在该部件所有均质材料中的含量均在GB/T 26572规定的限量要求以下。
O: Indicates that the above mentioned hazardous substance contained in all homogeneous materials of the part is below the required limit as defined in GB/T 26572.
- X: 表示该有毒有害物质至少在该部件某一均质材料中的含量超出GB/T 26572规定的限量要求。
X: Indicates that the above mentioned hazardous substance contained in at least one of the homogeneous materials of this part is above the required limit as defined in GB/T 26572.

除上表所示信息外，还需声明的是，这些部件并非是有意图用铅 (Pb)、汞 (Hg)、镉 (Cd)、六价铬 (Cr(+VI))、多溴联苯 (PBB) 或多溴二苯醚 (PBDE) 来制造的。
Apart from the disclosures in the above table, the subassemblies are not intentionally manufactured or formulated with Lead (Pb), Mercury (Hg), Cadmium (Cd), hexavalent Chromium (Cr(+VI)), polybrominated Biphenyls (PBB), and polybrominated Diphenyl Ethers (PBDE).

Date: Hamburg, Mai 22, 2019

Page 2 of 2

Dr. B. Schreiber
Vice President Quality Management
& Regulatory Affairs

Ines Wentzin
Product Life Cycle Manager
Manual Liquid Handling

Your local distributor: www.eppendorf.com/contact
Eppendorf AG · Barkhausenweg 1 · 22339 Hamburg · Germany
E-mail: eppendorf@eppendorf.com

ISO 9001
Certified

ISO 13485
Certified

ISO 14001
Certified

Eppendorf®, the Eppendorf Brand Design and Eppendorf Xplorer® are registered trademarks of Eppendorf AG, Germany.
All rights reserved, incl. graphics and images. Copyright ©2019 by Eppendorf AG.

Declaration of Conformity

The product named below fulfills the requirements of directives and standards listed. In the case of unauthorized modifications to the product or an unintended use this declaration becomes invalid.

Product name:

Eppendorf Xplorer®, Eppendorf Xplorer® plus
including charging adapter

Product type:

Electronic pipette

Relevant directives / standards:

2014/35/EU EN 61010- 1
2014/30/EU EN 55011, EN 61326- 1
2011/65/EU EN 50581
EN ISO 8655- 1, EN ISO 8655- 2, EN ISO 8655- 5, EN ISO 8655- 6

Date: February 16, 2016



Management Board



Portfolio Management

Your local distributor: www.eppendorf.com/contact
Eppendorf AG · 22331 Hamburg · Germany
eppendorf@eppendorf.com

Eppendorf® and the Eppendorf logo are registered trademarks of Eppendorf AG, Germany.
U.S. Design Patents are listed on www.eppendorf.com/ip.
All rights reserved, incl. graphics and pictures. Copyright 2015 © by Eppendorf AG.

www.eppendorf.com

ISO 9001
Certified

ISO
13485
Certified

ISO
14001
Certified

Evaluate Your Manual

Give us your feedback.
www.eppendorf.com/manualfeedback

Your local distributor: www.eppendorf.com/contact
Eppendorf AG · Barkhausenweg 1 · 22339 Hamburg · Germany
eppendorf@eppendorf.com · www.eppendorf.com