

# AF 206

## Self Contained Ice Machine 200 kg

Item #:
Project:
Quantity:



### FEATURES

- Produces granular shape ice flakes, 75% hardness. Ice scoop holder safely positioned in ice-storage bin.
- Resistant stainless steel exterior.
- Advanced diagnostics computerized control.
- Front panel in & out airflow (air-cooled model only) for built-in installation.
- Front access condenser air filter, removable and washable (air cooled version).
- Easily accessible, front panel mount, ON-OFF Switch.
- Easy, front panel access to technical / service area of the machine. Routine maintenance visible alarm light on front panel.
- Ergonomically designed ice storage access, with disappearing door. Door-closing movement dampening system.



AF 206  
Flake ice  
Residual water content 25%

### CONDENSING SYSTEM

Air cooled  
Water cooled

### REFRIGERANT GAS

R134a  
R404A

### VOLTAGE V/Hz/ph

230/50/1  
230/60/1

### INTERNAL BIN CAPACITY

60 kg

### CERTIFICATIONS



### OPERATING REQUIREMENTS

	Minimum	Maximum
Air temperature	10	43
Water temperature	5	38
Water pressure	1 bar (14 psi)	5 bar (70 psi)
Electrical voltage	-10%	+10%

**IMPORTANT NOTICE:**  
Models and specifications are subject to change without notice. This spec sheet is meant for commercial purpose only. For technical documentation please refer to our service manuals.

Download our free **App Scotsman Ice**  
Apple store  
Google play  
Windows store



[www.scotsman-ice.it](http://www.scotsman-ice.it)  
[www.scotsman-ice.com](http://www.scotsman-ice.com)

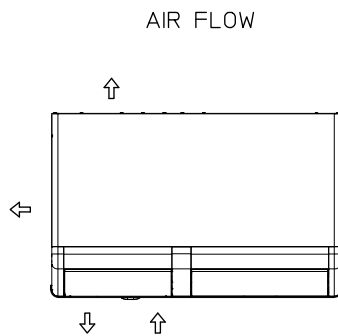
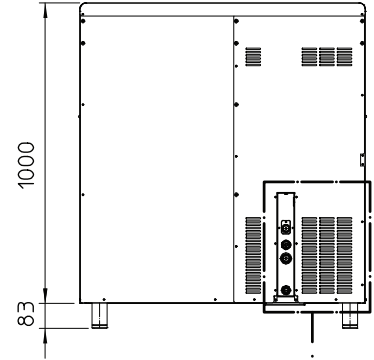
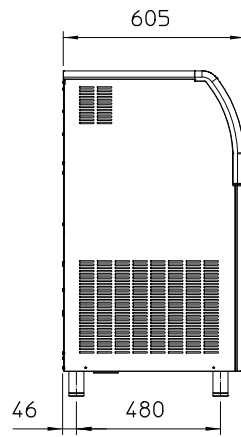
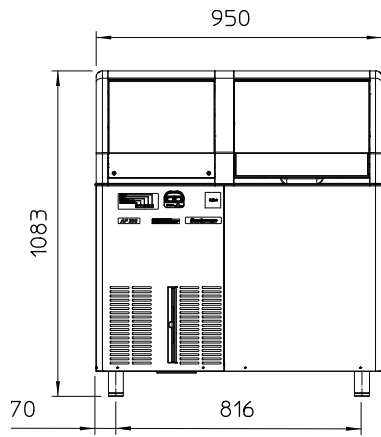
Self Contained Ice Machine 200 kg

# AF 206

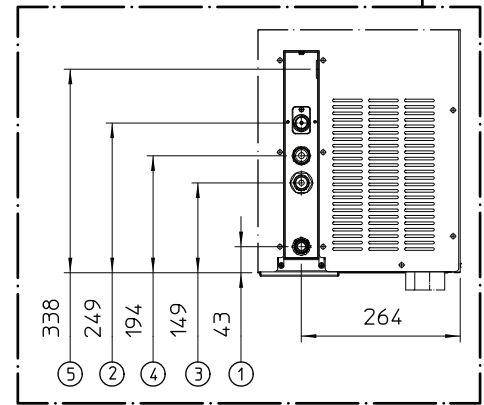
## Self Contained Ice Machine 200 kg

Item #:
Project:
Quantity:

Self Contained Ice Machine 200 kg



- UNIT OF MEASUREMENT: mm
- 25/32" - OVERFLOW DRAIN
  - 3/4" GAS - WATER INLET
  - 3/4" GAS - WATER OUTLET WATER COOLED UNIT ONLY
  - 3/4" GAS - WATER INLET WATER COOLED UNIT ONLY
  - CORD SET



UNIT DATA		SHIPPING DATA										
Size (W x D x H)		950 x 605 x 1083 mm		Carton (W x D x H)		1030 x 680 x 1170 mm						
Net weight		77 kg		Weight		90 kg						
Version	Voltage	24 h ice production kg			Energy consumption (*)		Water usage (*)	Instant power	Compressor	Circuit wires	Max. fuse size	
		10°C/10°C	21°C/10°C	32°C/21°C	kWh/100 kg	kWh/24h	l/h	W	W	No. x Ømm²	A	
AF 206 AS	230/50/1	200	195	155	13.2	20.5	7.0	950	3400	3 x 1.5	10	
AF 206 WS	230/50/1	205	200	178	10.7	19.0	68.0	800	3400	3 x 1.5	10	
AF 206 AS	230/60/1	200	192	150	12.3	18.4	6.3	830	1770	3 x 1.5	10	
AF 206 WS	230/60/1	200	197	175	8.6	15.0	85.4	630	1770	3 x 1.5	10	

(\*) Data refer to 32°C Amb. / 21°C Water temperature conditions